

From the library of: Diamond Needle Corp

Fig. N. Abb. N.	Part. N. Piec. N. Bestell N. Pieza N.	Ct. Anzahl	DESCRIZIONE	DESCRIPTION	DESCRIPTION	BENENNUNG	DESCRIPCION
45	300364-0-10	1	squadretta	bracket	équerre		
46	301459-4-10	2	giunto compl.per eccentrico	joint assembly for eccentric	joint compl.pour excentrique		
47	301458-0-10	2	giunto	joint	joint		
48	301579-0-10	2	gabbia a rullini	needles cage	cage à aiguilles		
49	201143-0-10	4	anello di tenuta	circlip	circlip		
50	308287-0-00	1	anello di tenuta	retainer ring	bague d'étanchéité		
51	704347-2-00	1	rondella	washer	rondelle		
52	309839-2-00	1	anello di registro	adjustment ring	bague de réglage		
53	309838-2-00	1	anello di registro	adjustment ring	bague de réglage		
54	308029-2-00	1	eccentrico con viti fig.42	eccentric with screws fig.42	excentrique avec vis fig.42		
55	729011-2-00	1	vite	screw	vis		
56	303459-2-11	1	braccio	arm	bras		
57	704218-2-00	1	rondella	washer	rondelle		
58	300377-0-10	1	vite	screw	vis		
59	308971-3-00	1	tendifilo a camma con viti	cam thread take-up with screws	tendeur du fil à came avec vis		
60	308119-0-00	1	anello di tenuta	retainer ring	bague d'étanchéité		
61	308967-2-00	1	anello limitatore	limiter ring	bague		
■	309572-4-01	1	SOLO A RICHIESTA gruppo salva ago	ONLY ON REQUEST rear needle guard assembly	SEULEMENT SUR DEMANDE groupe protège-aiguille		
62	305170-0-01	1	salva ago	rear needle guard	protège-aiguille		
63	305172-0-00	1	vite	screw	vis		

From the library of: Diamond Needle Corp

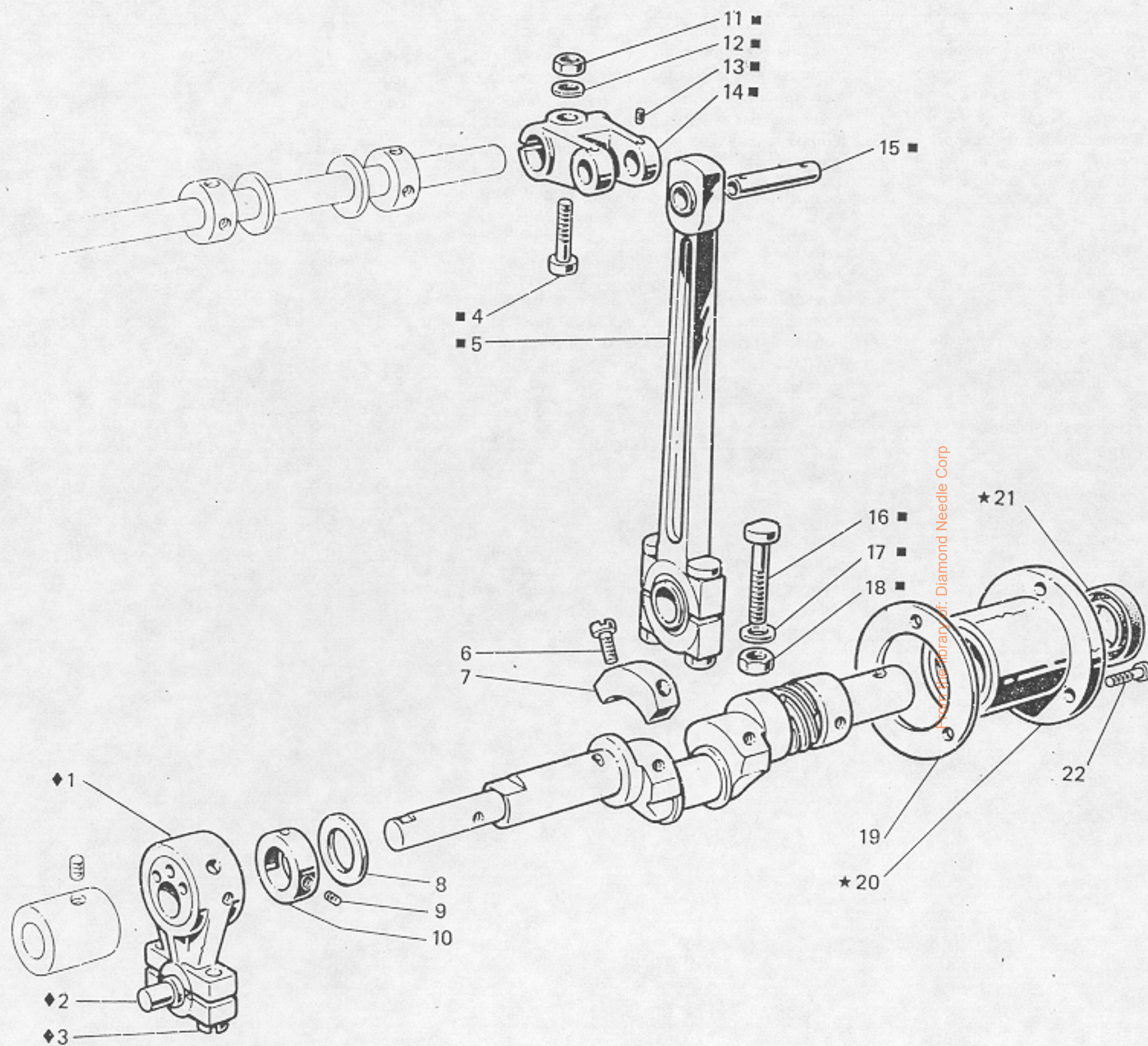


Fig. N. Abb. N.	Part. N. Piece N. Bestell N. Pieza N.	Qt. Anzahl	DESCRIZIONE	DESCRIPTION	DESCRIPTION	BENENNUNG	DESCRIPCION
★	308013-4-01	1	bussola destra completa	right bush assembly	bague droite complète		
■	308178-4-00	1	gruppo biella principale	main con-rod assembly	groupe bielle principale		
◆	310353-4-00	1	gruppo biella con eccentrico e perno	con-rod with eccentric and pin assembly	groupe bielle avec excentrique et pivot		
1	308254-3-00	1	biella con eccentrico e viti	con-rod with eccentric and screws	bielle avec excentrique et vis		
2	308310-0-00	1	perno a sfera	ball joint	pivot à sphere		
3	308802-0-00	2	vite per biella	screw for con-rod	vis pour bielle		
4	308855-0-00	1	vite	screw	vis		
5	308174-3-00	1	biella principale completa	main con-rod assembly	bielle principale complète		
6	741056-0-00	2	vite	screw	vis		
7	302272-0-10	1	settore	sector	secteur		
8	704869-0-00	1	rondella	washer	rondelle		
9	745815-2-00	2	vite	screw	vis		
10	308084-2-00	1	anello di registro con viti	adjustment ring with screws	bague de réglage avec vis		
11	746408-2-00	1	dado	nut	écrou		
12	705013-0-00	1	rondella	washer	rondelle		
13	745812-2-00	2	vite	screw	vis		
14	308159-2-01	1	manovella	crank	manivelle		
15	308166-0-00	1	perno	pin	pivot		
16	308161-0-00	2	vite	screw	vis		
17	308149-0-01	2	rondella	washer	rondelle		
18	308162-0-00	2	dado	nut	écrou		
19	308127-0-00	1	guarnizione	gasket	garniture		
20	308012-2-01	1	bussola	bush	bague		
21	700596-0-00	1	anello di tenuta	retainer ring	bague d'étanchéité		
22	742222-2-00	3	vite	screw	vis		

From the library of: Diamond Needle Corp

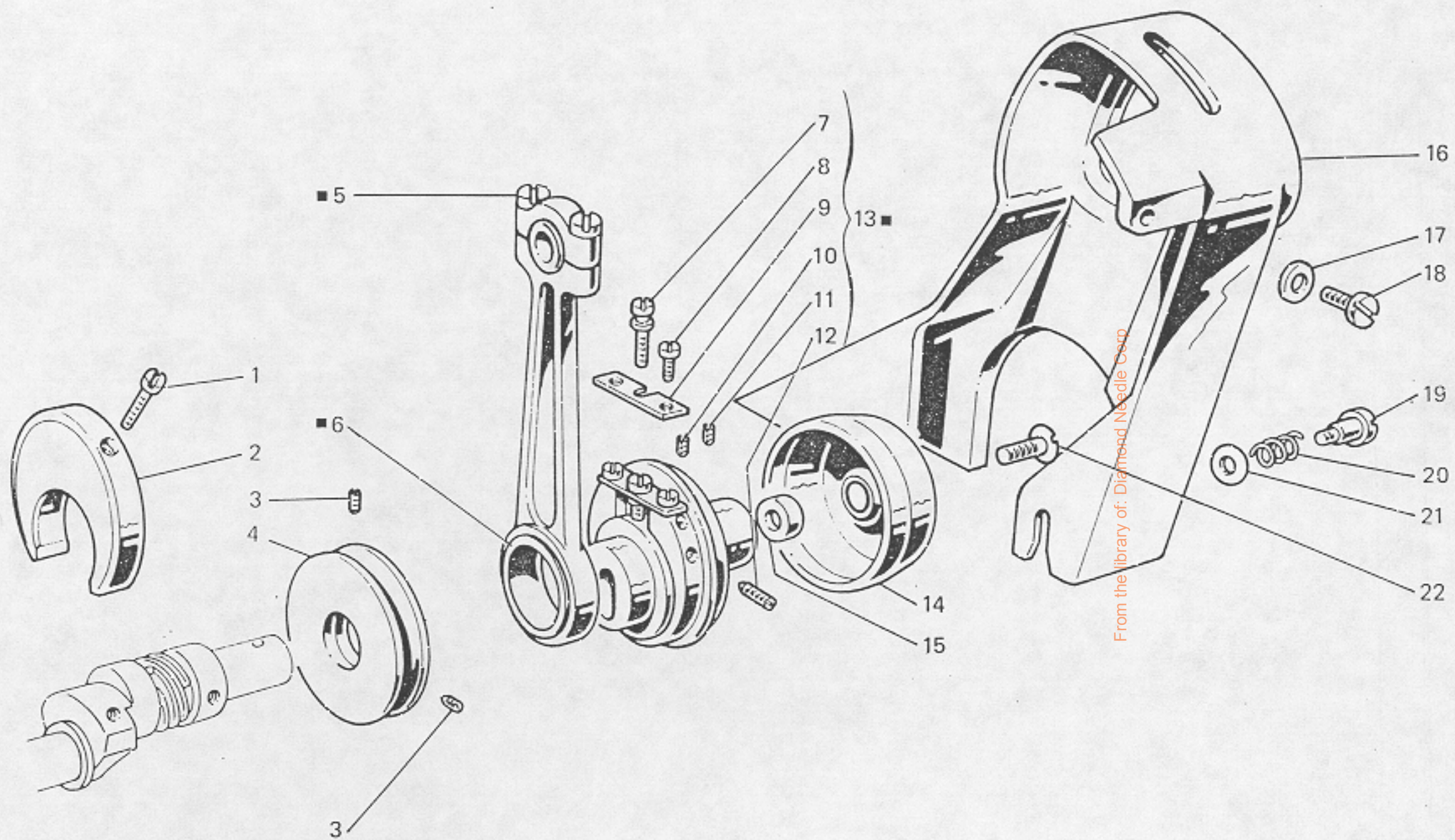


Fig. N. Abb. N.	Part. N. Piece N. Bestell N. Pieza N.	Qt. Anzahl	DESCRIZIONE	DESCRIPTION	DESCRIPTION	BENENNUNG	DESCRIPCION
■	304481-4-00	1	biella con eccentrico regol.	con-rod with eccentric	bielle avec excentrique		
1	741088-2-00	2	vite	screw	vis		
2	304445-0-11	1	contrappeso destro	right conterweight	contreppoids droit		
3	729044-2-00	2	vite	screw	vis		
4	308301-0-00	1	volantino	handwheel	volant		
5	743482-2-00	2	vite	screw	vis		
6	304480-0-00	1	cuscinetto	pad	cussin		
7	304412-0-10	1	vite di registro	adjustment screw	vis de réglage		
8	741721-2-00	2	vite	screw	vis		
9	304413-0-10	1	piastrina	plate	plaque		
10	304462-0-20	2	vite	screw	vis		
11	745317-0-00	2	vite	screw	vis		
12	730061-2-00	2	vite	screw	vis		
13	304449-4-20	1	eccentrico regol.compieto	eccentric assembly	excentrique complet		
14	200678-0-10	1	coperchio	cover	couvercle		
15	304476-0-11	1	distanziale	spacer	entretoise		
16	304406-0-11	1	carter protezione	protection cover	carter protection		
17	704409-0-00	1	rondella	washer	rondelle		
18	721475-2-00	1	vite	screw	vis		
19	302349-0-10	2	vite per scodellino	screw for cup	vis pour cuvette		
20	302150-0-10	2	molla per scodellino	spring for cup	ressort pour cuvette		
21	302151-0-10	2	scodellino	cup	cuvette		
22	724908-2-00	1	vite	screw	vis		

From the library of: Diamond Needle Corp

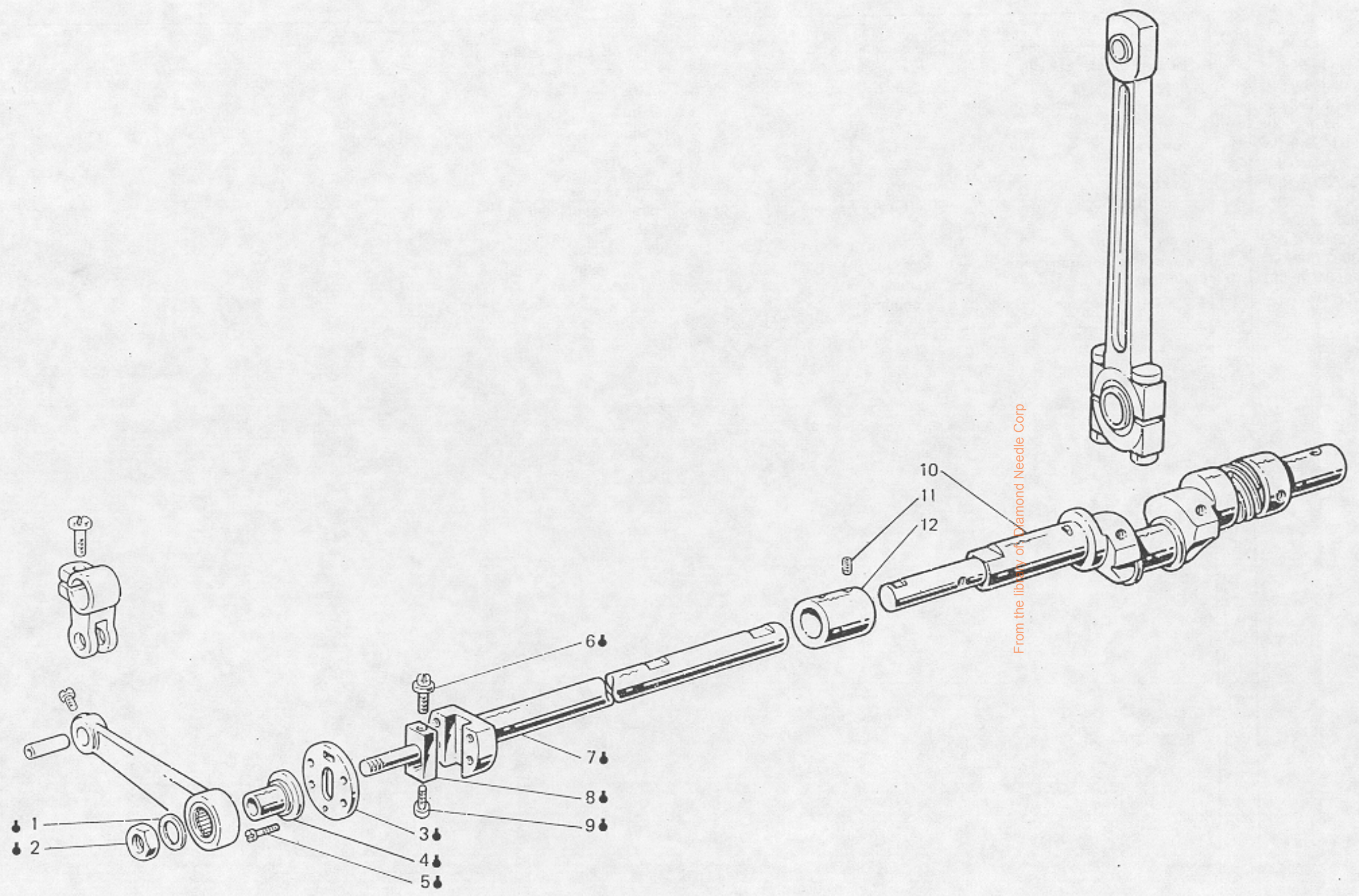


Fig. N. Abb. N.	Part. N. Piece N. Bestell N. Pieza N.	Ot. Anzahl	DESCRIZIONE	DESCRIPTION	DESCRIPTION	BENENNUNG	DESCRIPCION
—	309712-4-02	1	albero inferiore completo	lower shaft assembly	arbre inférieur complet		
•	308362-4-01	1	semialbero infer.completo	lower half-shaft assembly	semi-arbre inférieur complet		
1	704814-0-00	1	rondella	washer	rondelle		
2	746612-2-00	1	dado	nut	écrou		
3	308774-2-00	1	piastra disco	disc plate	plaque		
4	303458-0-12	1	bussola	bush	bague		
5	724441-0-00	4	vite	screw	vis		
6	308281-0-00	1	vite di registro	adjustment screw	vis de réglage		
7	308385-2-01	1	semialbero inf. sinistro	left lower half-shaft	semi-arbre inférieur gauche		
8	308278-0-01	1	perno	pin	pivot		
9	308780-2-00	1	vite di registro	adjustment screw	vis de réglage		
10	308715-3-02	1	semialbero inferiore destro	right lower half-shaft	semi-arbre inférieur droite		
11	745827-2-00	4	vite per manicotto	screw	vis		
12	308015-0-00	1	manicotto	coupling	manchon		

From the library of: Diamond Needle Corp

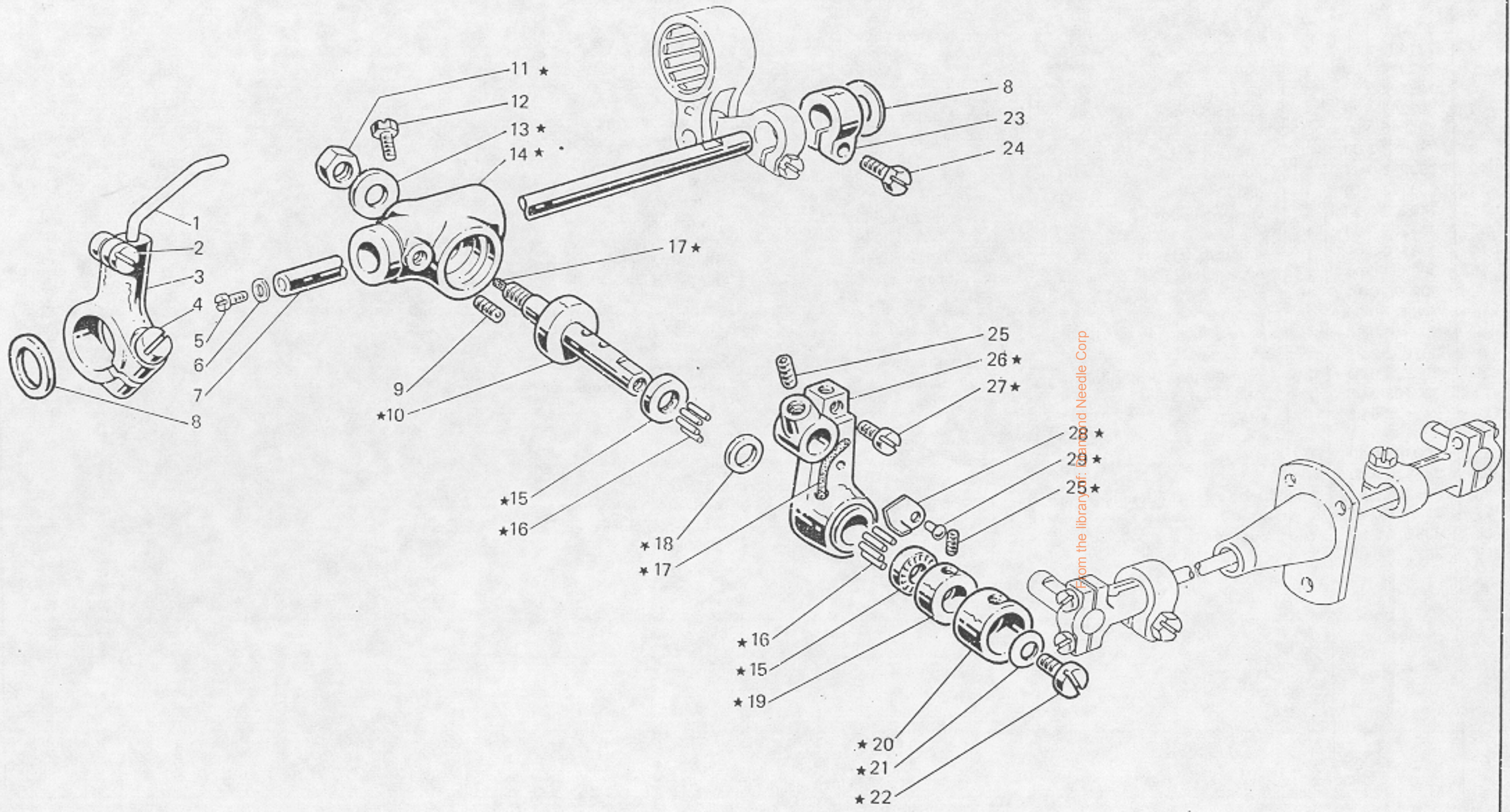
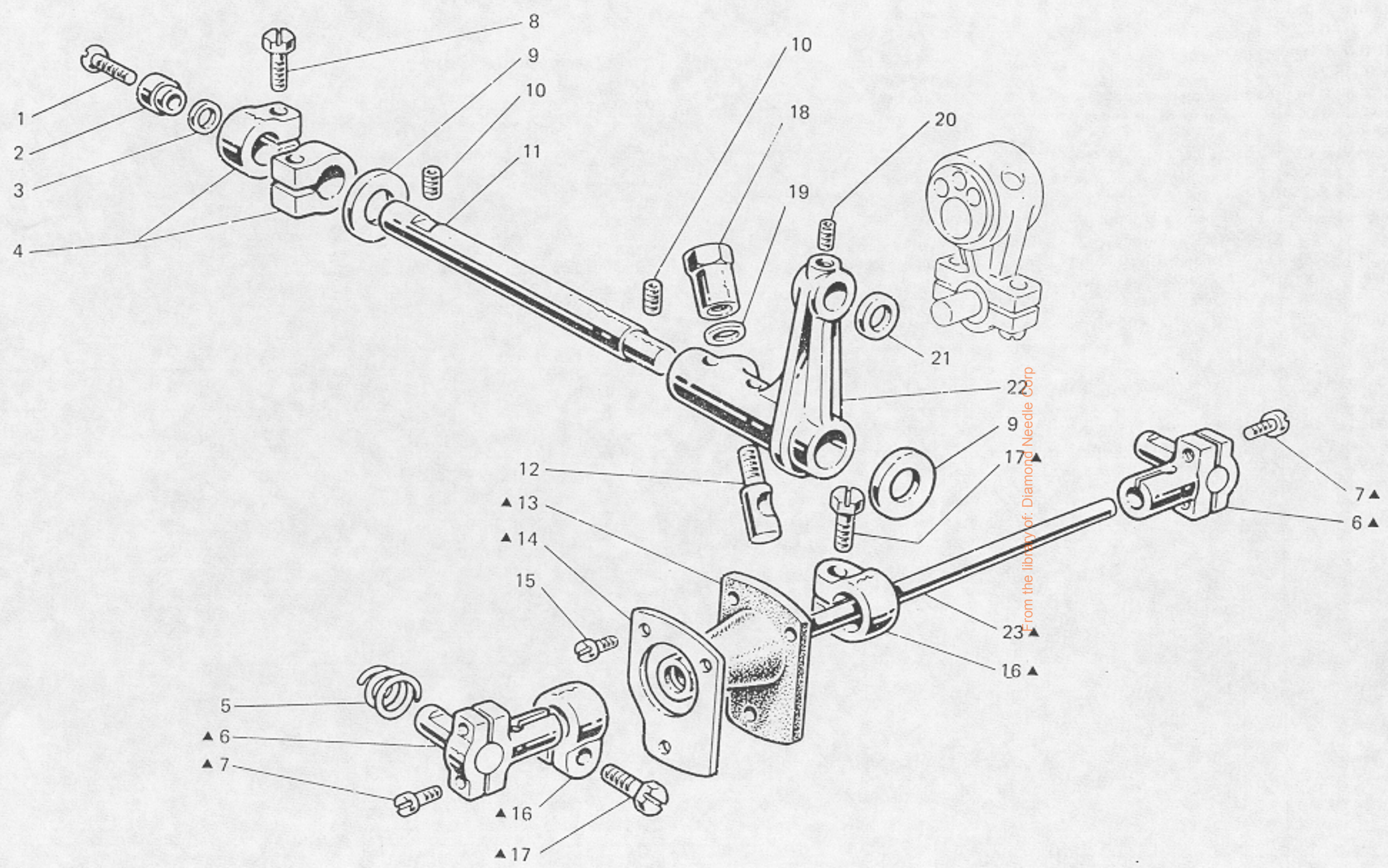


Fig. N. Abb. N.	Part. N. Piece N. Bestell N. Pieza N.	Qt. Anzahl	DESCRIZIONE	DESCRIPTION	DESCRIPTION	BENENNUNG	DESCRIPCION
★	308261-4-00	1	gruppo porta crochet	looper holder assembly	groupe porte-crochet		
1	308142-0-00	1	spingi asola	front needle guard	pare-boucle		
2	741724-0-00	1	vite	screw	vis		
3	308050-2-00	1	porta spingi asola con viti	needle guard support with screws	porte pare-boucle avec vis		
4	721485-2-00	1	vite	screw	vis		
5	742214-2-00	1	vite	screw	vis		
6	705734-0-00	1	guarnizione	gasket	garniture		
7	308292-4-00	1	contralb.crochet infer.compl.	lower looper countershaft ass.	axe crochet inférieur complet		
8	704846-0-00	2	rondella	washer	rondelle		
9	730033-2-00	1	vite	screw	vis		
10	308271-0-01	1	perno	pin	pivot		
11	202474-0-10	1	dado	nut	écrou		
12	740226-0-00	1	vite per supporto	screw for support	vis pour support		
13	704226-2-00	1	rondella	washer	rondelle		
14	308140-0-00	1	supporto del porta crochet	support for looper holder	support du porte crochet		
15	303539-0-00	2	reggispinta	thrust bearing	butée		
16	302276-0-10	40	rullino	roller	rouleau		
17	778827-0-00	2	stoppino	wick	mèche		
18	703810-0-00	1	distanziale	spacer	entretoise		
19	302052-2-21	1	ghiera con viti	ring with screws	collier avec vis		
20	303538-0-00	1	cappellotto di protezione	protection cap	capouchon de protection		
21	702403-0-00	1	molina a tazza	cup spring	ressort à tasse		
22	742423-0-00	1	vite	screw	vis		
23	300469-2-11	1	fascetta	clamp	bride		
24	300482-0-10	1	vite	screw	vis		
25	745815-2-00	3	vite	screw	vis		
26	308266-2-01	1	porta crochet inferiore	lower looper holder	porte crochet inférieur		
27	303503-0-10	1	vite fissa crochet	looper fixing screw	vis blocage crochet		
28	308272-0-00	1	piastrina	sheet	plaquette		
29	308273-0-00	1	rivetto	rivet	rivet		

From the library of: Diamond Needle Corp



From the library of: Diamond Needle Corp

Fig. N. Abb. N.	Part. N. Piece N. Bestell N. Pieza N.	Qt. Anzahl	DESCRIZIONE	DESCRIPTION	DESCRIPTION	BENENNUNG	DESCRIPCION
★	308615-3-10	1	base e braccio con bussole	base and arm with bushes	base et bras avec bague		
1	706454-0-00	2	spina	pin	goupille		
2	308859-2-00	1	supporto con bussola fig. 9	support with bush fig. 9	support avec bague fig. 9		
3	721485-2-00	4	vite	screw	vis		
4	307664-0-00	1	bussola	bush	bague		
5	706285-0-00	1	spina	pin	goupille		
6	202398-0-10	1	tappo	plug	bouchon		
7	308032-0-00	1	bussola	bush	bague		
8	308215-0-00	1	protezione olio	oil protection	protection huile		
9	308858-0-00	1	bussola	bush	bague		
10	308406-0-00	1	bussola	bush	bague		
11	308218-0-00	1	scodellino inferiore	lower cup	cuvette inférieur		
12	308296-0-00	2	bussola	bush	bague		
13	308293-0-01	1	bussola	bush	bague		
14	308297-0-00	1	bussola	bush	bague		
15	721444-2-00	1	vite	screw	vis		
16	308138-0-11	1	carter paraolio	oil retainer cover	carter pare-huile		
17	308094-0-00	1	tappo foro bussola	plug	bouchon		
18	308031-0-00	1	bussola	bush	bague		
19	307739-0-00	1	bussola	bush	bague		
20	303501-0-10	1	tappo per foro tendifilo	plug	bouchon		
21	308852-0-00	1	bussola	bush	bague		
22	308232-0-00	1	bussola	bush	bague		
23	729032-2-00	1	vite	screw	vis		
24	308086-0-10	1	bussola	bush	bague		
25	308009-0-00	1	bussola	bush	bague		
26	308298-0-00	1	bussola	bush	bague		
27	302356-0-10	1	tappo	plug	bouchon		
28	308853-0-00	2	bussola	bush	bague		

From the library of: Diamond Needle Corp

Fig. N. Abb. N.	Part. N. Piecce N. Bestell N. Pieza N.	Qt. Anzahl	DESCRIZIONE	DESCRIPTION	DESCRIPTION	BENENNUNG	DESCRIPCION
▲	308332-4-00	1	gruppo comando crochet inf.	lower looper control assembly	groupe com. crochet inférieur		
1	744676-2-00	1	vite	screw	vis		
2	308047-0-00	1	scodellino	cup	cuvette		
3	701009-0-00	1	anello di tenuta	oil ring	bague d'étanchéité		
4	308046-2-01	2	fascetta	clamp	bride		
5	302289-0-10	1	molla	spring	ressort		
6	308325-3-00	2	testa di biella con viti	con-rod big end with screws	tête de bielle avec vis		
7	744040-2-00	4	vite	screw	vis		
8	300482-0-10	2	vite	screw	vis		
9	704849-0-00	2	rondella	washer	rondelle		
10	729434-2-00	2	vite fissa perno	screw	vis		
11	308044-0-00	1	perno per supporto	pin	pivot		
12	300352-0-10	1	spina filettata	pin	goupille		
13	308330-3-00	1	manicotto para olio	oil protection	manchon pare-huile		
14	308327-0-00	1	mascherina per manicotto	flange	flasque		
15	741675-2-00	2	vite	screw	vis		
16	308326-2-01	2	fascetta per biella con vite	clamp with screw	bride avec vis		
17	305194-0-00	2	vite	screw	vis		
18	300351-0-11	1	riado	nut	écrou		
19	704309-4-00	1	rondella	washer	rondelle		
20	745815-2-00	1	vite	screw	vis		
21	705834-0-00	1	rondella in fibra	washer	rondelle		
22	308045-0-01	1	supporto oscillante	support	support		
23	308333-0-01	1	tirante per biella	tie-rod	tirant pour bielle		

From the library of: Diamond Needle Corp

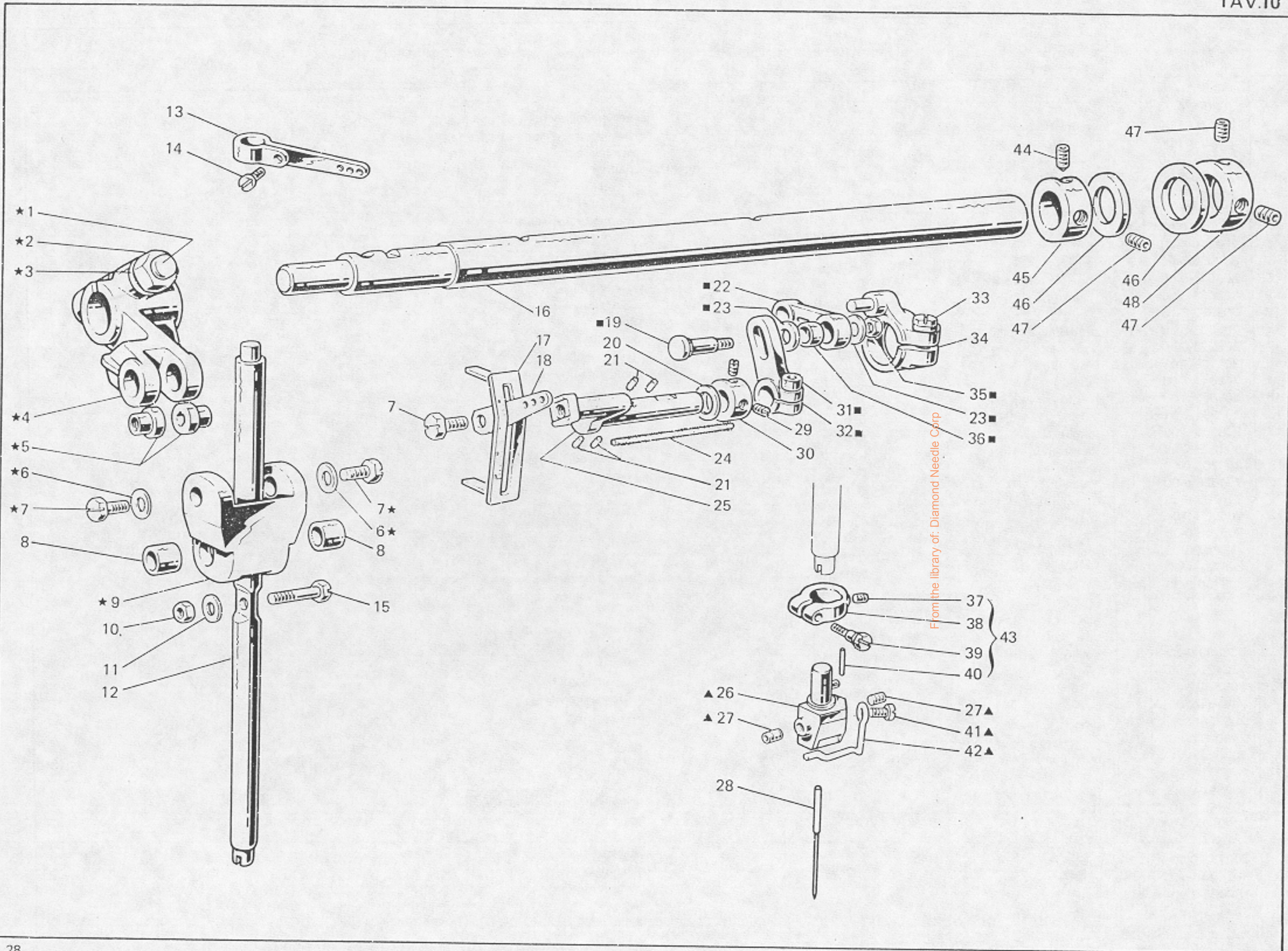


Fig. N. Abb. N.	Part. N. Piece N. Bestell N. Pieza N.	Qt. Anzahl	DESCRIZIONE	DESCRIPTION	DESCRIPTION	BENENNUNG	DESCRIPCION
★	308006-4-00	1	gruppo manov.giunto barra ago	crank and joint assembly	groupe maniv.joint barre-aiguille		
▲	309803-4-00	1	morsetto porta aghi completo	needles clamp assembly	porte-aiguille complet		
■	308244-4-00	1	gruppo sett.tendit.articolato	sector assembly	groupe secteur		
1	308855-0-00	1	perno a vite	threaded pin	pivot à vis		
2	746408-2-00	1	dado	nut	écrou		
3	705013-0-00	1	rondella	washer	rondelle		
4	308036-2-00	1	manovella completa	crank assembly	groupe bras manivelie		
5	308037-0-00	2	perno superiore	upper pin	pivot supérieur		
6	704210-4-00	2	rondella	washer	rondelle		
7	308039-0-01	3	vite	screw	vis		
8	308041-0-00	2	bussola inferiore	lower bush	bague inférieure		
9	308038-0-10	1	giunto barra ago	needle bar joint	joint barre-aiguille		
10	302338-0-10	1	dado	nut	écrou		
11	703005-0-00	1	rondella	washer	rondelle		
12	308220-0-00	1	barra ago	needle bar	barre aiguille		
13	308139-2-01	1	tendifilo superiore	upper thread take-up	tendeur supérieur		
14	742311-2-00	1	vite	screw	vis		
15	308042-0-00	1	perno per barra ago	pin for needle bar	pivot pour barre-aiguille		
16	308851-2-01	1	albero superiore	upper shaft	arbre supérieur		
17	308005-0-00	1	targhetta	plate	plaque		
18	308239-0-00	1	tendifilo inferiore	lower thread guide	tendeur du fil inférieur		
19	308235-0-00	1	perno	pin	pivot		
20	704828-0-00	1	rondella	washer	rondelle		
21	778203-0-00	4	stoppino	wick	mèche		
22	206583-0-00	1	biellino	con-rod	petite bielle		
23	705208-0-00	2	rondella	washer	rondelle		
24	778407-0-00	1	stoppino	wick	mèche		
25	308238-4-00	1	braccio con stoppini	arm with wicks	arbre avec mèches		
26	309750-2-00	1	morsetto porta aghi	needles clamp	porte-aiguilles		
27	745810-2-00	2	vite	screw	vis		
28	766000-6-80	2	ago sist.Rim 63 fin.80	needle syst.Rim 63 size 80	aiguille syst.Rim 63 jauge 80		
29	745812-2-00	2	vite	screw	vis		
30	303899-0-10	1	anello	ring	anneau		
31	722422-2-00	1	vite	screw	vis		
32	308234-2-00	1	settore con vite	sector with screw	secteur avec vis		
33	744334-2-00	1	vite	screw	vis		
34	308236-2-01	1	braccio con vite	arm with screw	bras avec vis		
35	746008-0-00	1	dado	nut	écrou		
36	202032-0-11	1	bussolina	bush	bague		
37	745001-0-00	1	vite	screw	vis		
38	302591-0-10	1	fascetta per barra ago	clamp for needle bar	bride pour barre-aiguille		
39	302352-0-10	1	vite	screw	vis		
40	302292-0-10	1	spinetta	pin	pivot		
41	741611-2-00	1	vite	screw	vis		
42	309771-0-00	1	passafilo	thread guide	passe-fil		
43	302590-4-10	1	fascetta completa	clamp assembly	bride complète		
44	730033-2-00	1	vite	screw	vis		
45	309831-2-00	1	anello di registro con viti	adjustment ting with screws	bague de réglage avec cis		

From the library of: Diamond Needle Corp

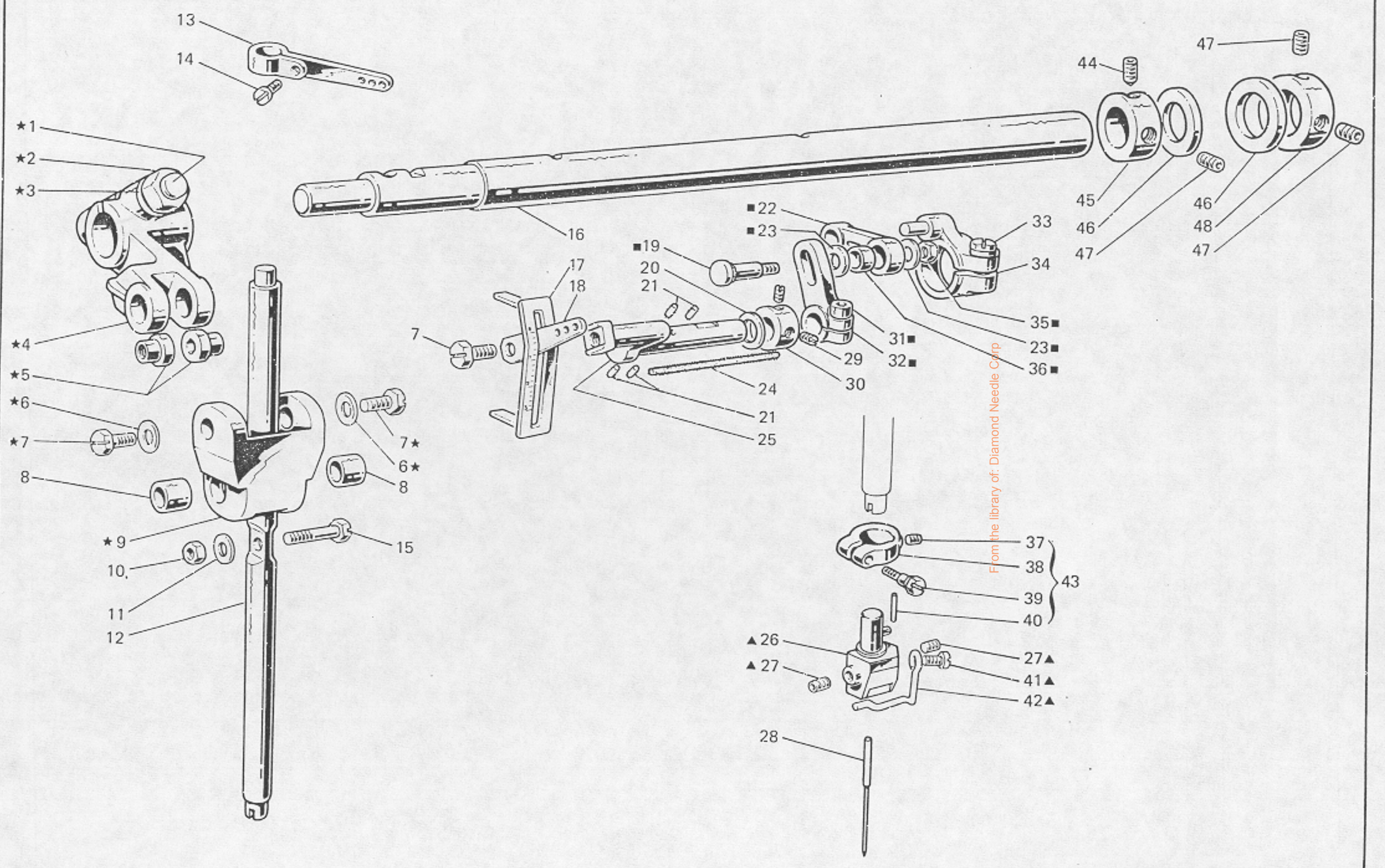
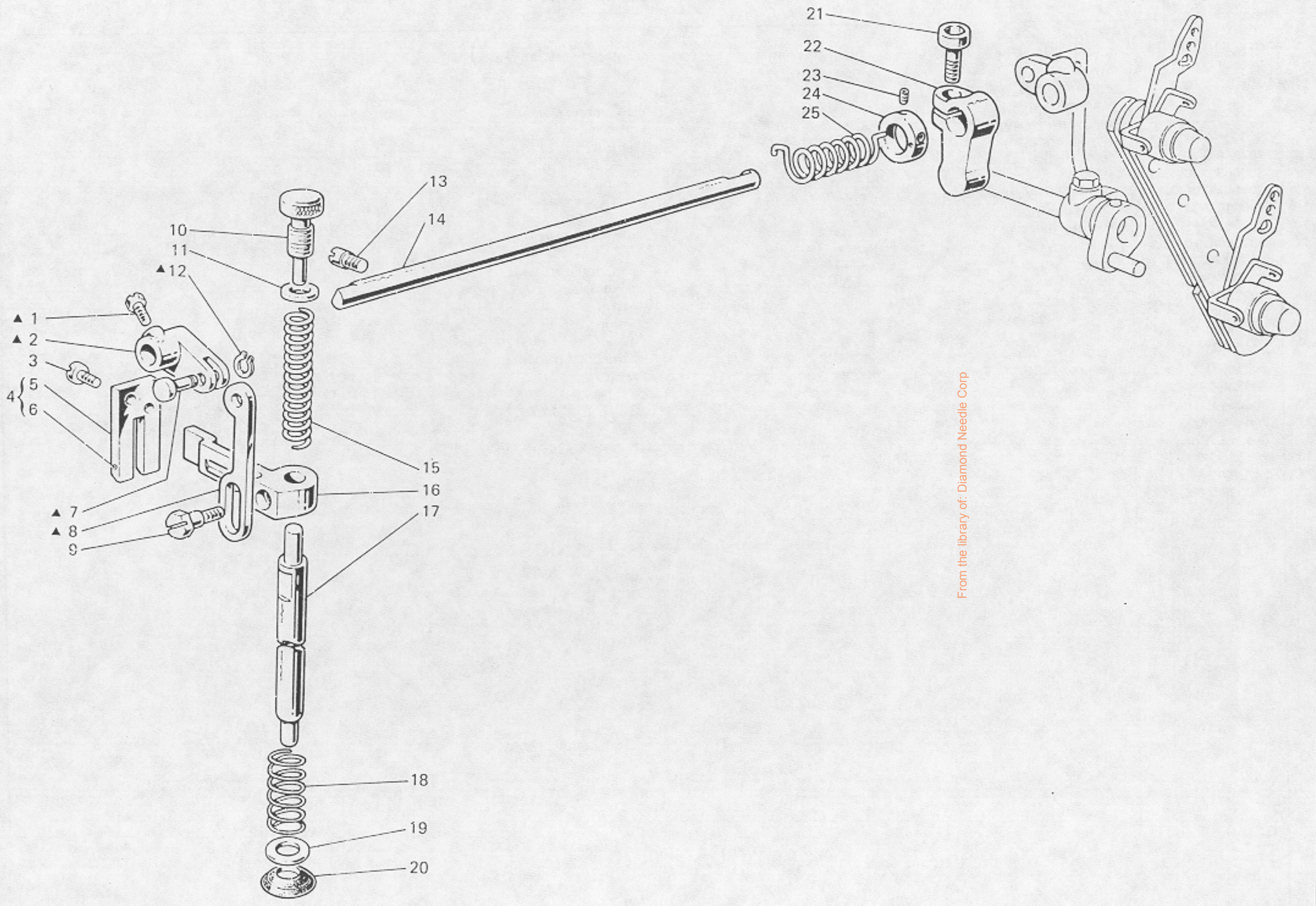


Fig. N. Abb. N.	Part. N. Bestell N. Piece N. Pieza N.	Qt. Anzahl	DESCRIZIONE	DESCRIPTION	DESCRIPTION	BENENNUNG	DESCRIPCION
46	704869-0-00	2	rondella	washer	rondelle		
47	729013-2-00	3	vite	screw	vis		
48	309830-2-00	1	anello di registro con viti	adjustment ring with screws	bague de réglage avec vis		

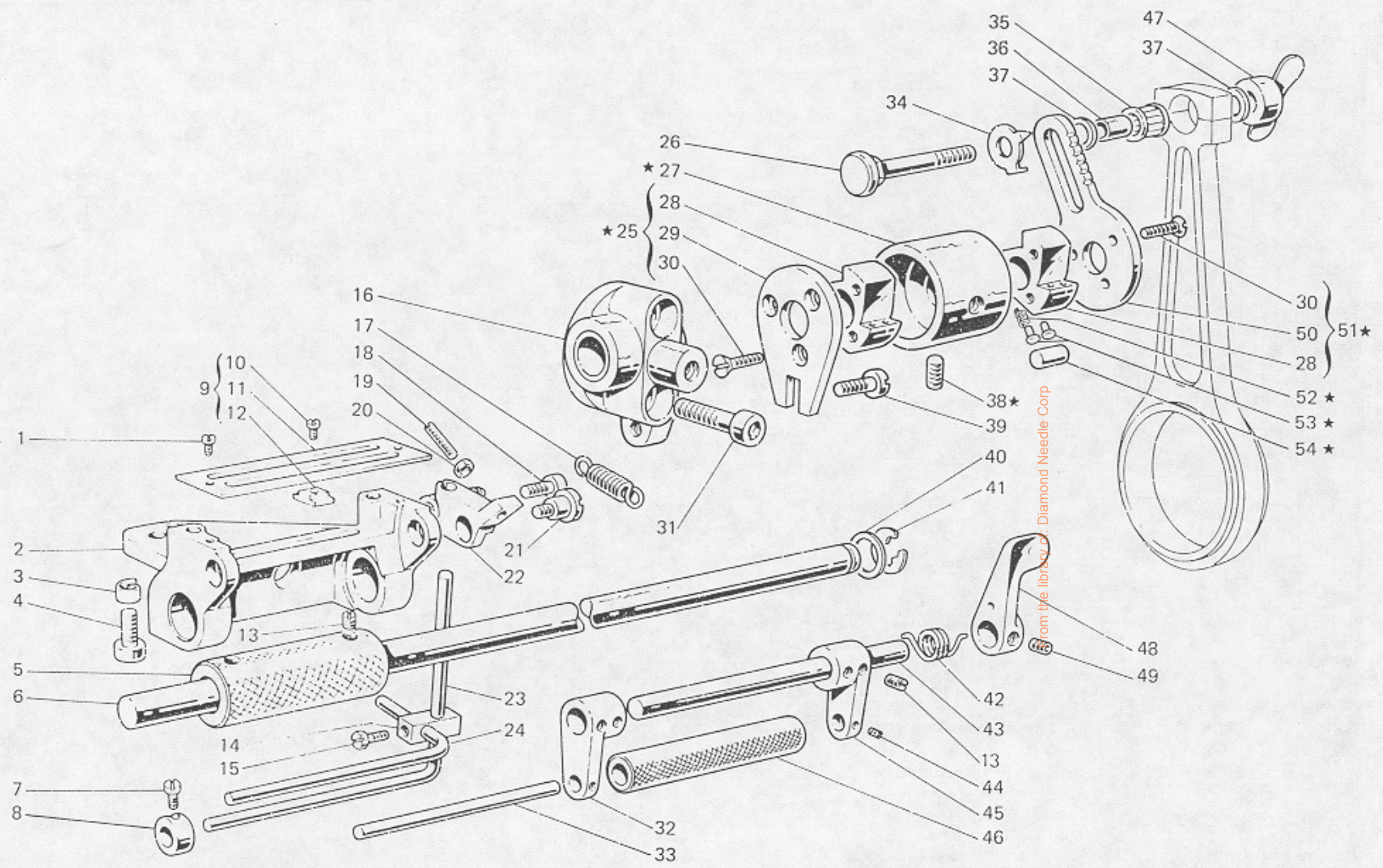
From the library of: Diamond Needle Corp



From the library of: Diamond Needle Corp

Fig. N. Abb. N.	Part. N. Piece N. Bestell N. Pieza N.	Qt. Anzahl	DESCRIZIONE	DESCRIPTION	DESCRIPTION	BENENNUNG	DESCRIPCION
▲	308060-4-00	1	gruppo manov.tirante premist.	presser crank assembly	groupe maniv.tirant presseur		
1	740632-2-00	1	vite	screw	vis		
2	308059-0-00	1	manovella	crank	manivelle		
3	721494-2-00	2	vite fissa piastra	plate screw	vis blocage plaque		
4	308052-4-00	1	piastra guida barra compl.	plate assembly	plaque complète		
5	308056-0-01	1	piastra guida barra	plate	plaque		
6	707240-0-00	1	spina elastica	split pin	goupille réglable		
7	308058-0-00	1	spina	pin	goupille		
8	308057-0-00	1	tirante per alza piedino	presserfoot tie-rod	tirant soulèvement pied-presseur		
9	740444-2-00	1	vite fissa slitta	screw	vis		
10	302060-0-11	1	pomolo di regolazione	adjustment knob	pommeau de réglage		
11	302344-0-10	1	rondella	washer	rondelle		
12	700205-0-00	1	anello elastico	spring ring	anneau ressort		
13	308007-0-00	1	perno filettato	threaded pin	pivot fileté		
14	302234-0-10	1	albero	shaft	arbre		
15	302059-0-10	1	molla premi piedino	spring	ressort		
16	308055-2-00	1	guida a forcella	forket guide	guide à fourchette		
17	308061-0-01	1	barra porta piedino	presserfoot bar	barre porte pied-presseur		
18	308148-0-00	1	molla	spring	ressort		
19	704236-2-00	1	rondella	washer	rondelle		
20	308054-0-01	1	paraolio	oil retainer	pare-huile		
21	744332-2-00	1	vite	screw	vis		
22	308412-2-02	1	fascetta di fermo con vite	ciamp with screw	bride de fixation avec vis		
23	745827-2-00	2	vite	screw	vis		
24	304767-2-10	1	anello per molla	ring	bague		
25	308098-0-00	1	molla di torsione	spring	ressort de torsion		

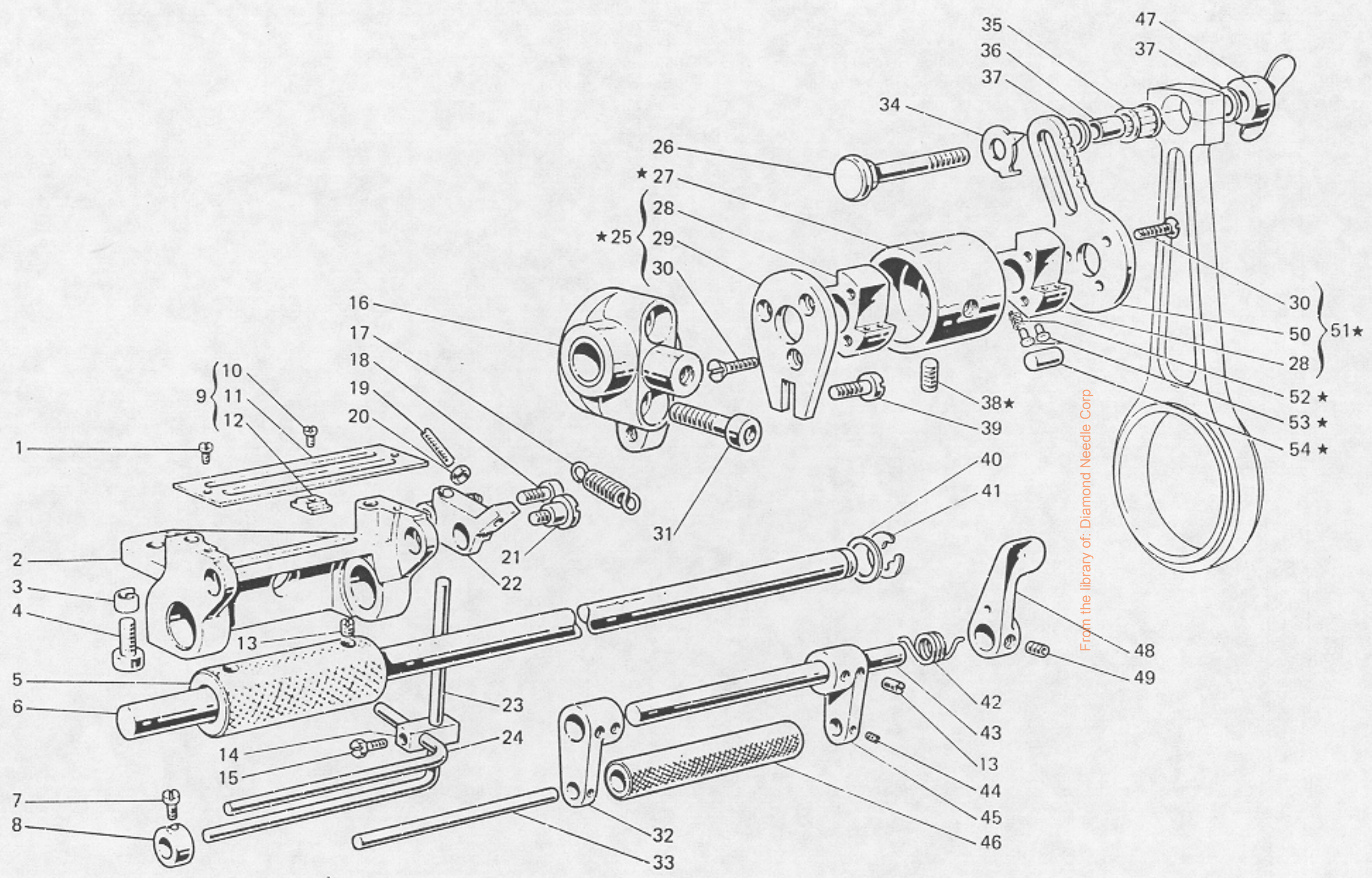
From the library of: Diamond Needle Corp



From the library of: Diamond Needle Corp

Fig. N. Abb. N.	Part. N. Bestell N. Pieze N. Pieza N.	Qt. Anzahl	DESCRIZIONE	DESCRIPTION	DESCRIPTION	BENENNUNG	DESCRIPCION
★	304431-4-11	1	frizione completa	clutch assembly	friction complète		
1	721412-2-00	2	vite	screw	vis		
2	304467-4-11	1	supporto frizione con bussole e stoppini	clutch support with bushes and wicks	support friction avec bagues et mèches		
3	308147-0-00	2	nastro	strap	bande		
4	722433-2-00	2	vite	screw	vis		
5	304468-2-20	1	rullo con viti	roller	rouleau		
6	304469-0-11	1	albero	shaft	arbre		
7	742811-0-00	4	vite	screw	vis		
8	304458-0-10	4	anello	ring	anneau		
9	304473-4-10	1	piastrina completa	plate assembly	plaque complète		
10	741403-0-00	4	vite	screw	vis		
11	304472-0-10	1	piastrina	plate	plaque		
12	203949-0-10	4	cursore	slider	curseur		
13	727014-2-00	6	vite	screw	vis		
14	304460-0-10	1	blocchetto	block	bloc		
15	740220-2-00	2	vite	screw	vis		
16	304423-4-21	1	supporto con spina e fig.39	support with pin and fig.39	support avec pivot et fig.39		
17	304457-0-10	1	moila	spring	ressort		
18	722411-2-00	1	vite	screw	vis		
19	727082-0-00	1	vite	screw	vis		
20	746002-2-00	1	dado	nut	écrou		
21	304463-0-10	1	vite	screw	vis		
22	304453-2-10	1	attacco e spina	coupling and pin	raccord et goupille		
23	304456-0-11	1	asta	rod	tige		
24	304459-0-10	1	asta	rod	tige		
25	304432-4-10	1	settore con flangia destra	sector with right flange	secteur avec flasque droit		
26	304086-0-10	1	perno	pin	pivot		
27	304430-0-10	1	corpo frizione	clutch case	crops friction		
28	301523-0-10	2	settore	sector	secteur		
29	203928-0-10	1	fiangia	flange	flasque		
30	724471-0-00	6	vite	screw	vis		
31	722483-2-00	2	vite	screw	vis		
32	304438-0-10	1	spalla sinistra	left support	support gauche		
33	304474-0-10	1	perno	pin	pivot		
34	304073-0-10	1	indice	index	indice		
35	201358-0-10	1	gabbia a rulli	needles cage	cage à aiguilles		
36	304436-0-10	1	anello	ring	anneau		
37	704216-2-00	2	rondella	washer	rondelle		
38	729043-2-00	2	vite	screw	vis		
39	744553-0-00	1	vite	screw	vis		
40	704841-0-00	1	rondella	washer	rondelle		
41	700212-0-00	1	anello elastico	spring ring	anneau ressort		
42	304441-0-10	1	molla	spring	ressort		
43	304475-0-10	1	asta	rod	tige		
44	745002-0-00	2	vite	screw	vis		
45	304437-0-10	1	spalla destra	right support	support droit		
46	304471-2-10	1	rullo	roller	rouleau		
47	200413-2-10	1	pomolo con alette	knob with flyer	pommeau avec ailette		

From the library of: Diamond Needle Corp



From the library of: Diamond Needle Corp

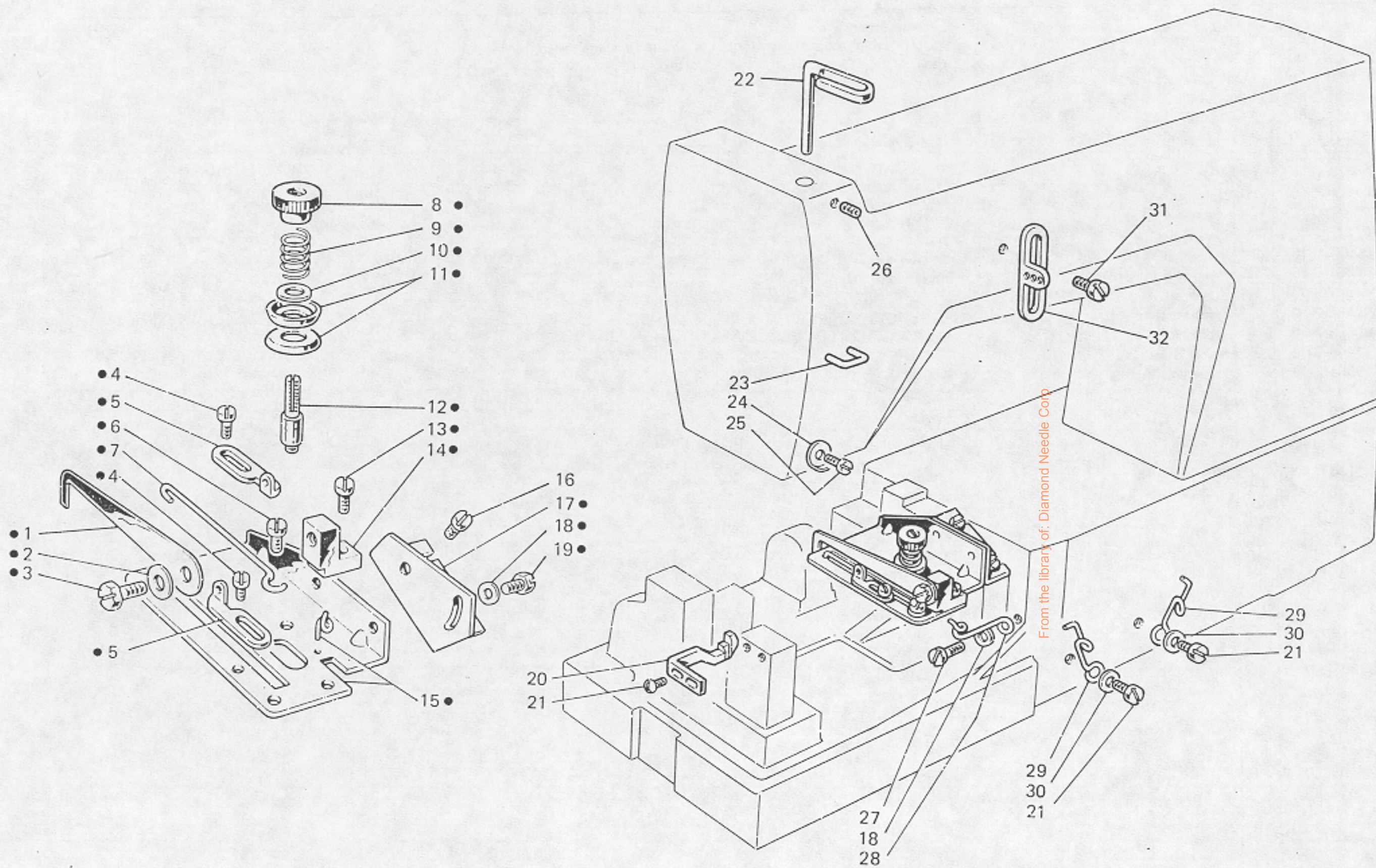


Fig. N. Abb. N.	Part. N. Piece N. Bestell N. Pieza N.	Qt. Anzahl	DESCRIZIONE	DESCRIPTION	DESCRIPTION	BENENNUNG	DESCRIPCION
48	304424-0-10	1	leva	lever	levier		
49	745812-2-00	2	vite	screw	vis		
50	304084-0-10	1	flangia	flange	flasque		
51	304085-4-10	1	settore con flangia sinistra	sector with left flange	secteur avec flasque gauche		
52	304477-0-01	12	molla	spring	ressort		
53	304478-0-00	12	pernetto	pin	pivot		
54	301527-0-10	6	rullino	roller	rouleau		

From the library of: Diamond Needle Corp

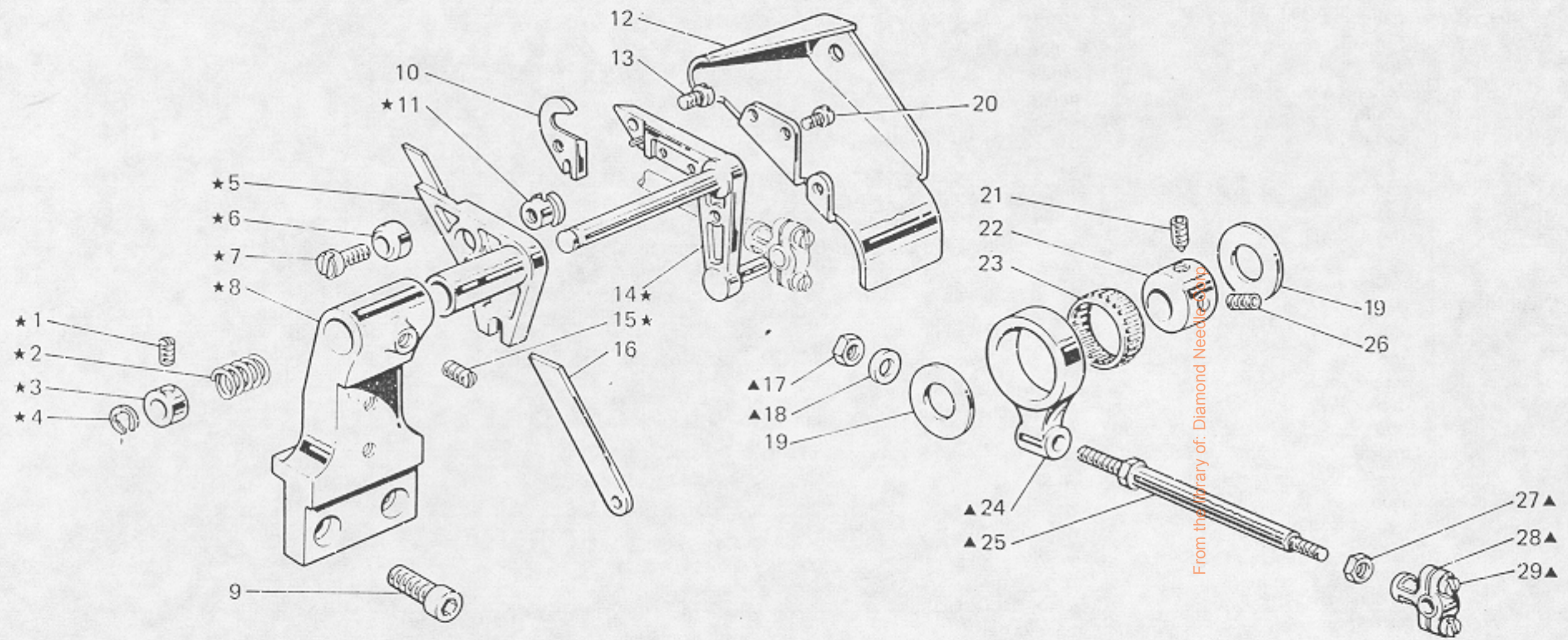


Fig. N. Abb. N.	Part. N. Piec. N. Bestell N. Pieza N.	Qt. Anzahl	DESCRIZIONE	DESCRIPTION	DESCRIPTION	BENENNUNG	DESCRIPCION
★	309380-4-01	1	porta coltello completo	knife holder assembly	porte-couteau complet		
▲	302813-4-10	1	biella comando coltelli compl.	knives con-rod assembly	bielle com.couteaux compl.		
1	745114-0-00	2	vite	screw	vis		
2	302803-0-10	1	molla	spring	ressort		
3	302859-0-10	1	anello	ring	anneau		
4	700210-0-00	1	anello elastico	spring ring	anneau ressort		
5	302804-2-10	1	porta coltello inferiore	lower knife holding	porte couteaux inférieur		
6	302864-0-10	1	scodellino	cup	cuvette		
7	721475-2-00	1	vite	screw	vis		
8	309373-2-00	1	supporto	support	support		
9	722454-2-00	2	vite	screw	vis		
10	302807-0-10	1	coltello superiore	upper knife	couteau supérieur		
11	302806-0-10	1	anello	ring	anneau		
12	302840-0-10	1	carterino	cover	carter		
13	741642-2-00	1	vite	screw	vis		
14	302801-3-11	1	porta coltello superiore	upper knife holding	porte couteau supérieur		
15	727056-0-00	1	vite	screw	vis		
16	302808-0-10	1	coltello inferiore	lower knife	couteau inférieur		
17	746204-2-00	1	dado	nut	écrou		
18	703208-0-00	1	rondella elastica	spring washer	rondella élastique		
19	703825-0-00	2	rondella	washer	rondelle		
20	721412-2-00	3	vite	screw	vis		
21	730023-2-00	1	vite	screw	vis		
22	308762-2-00	1	eccentrico compl.con viti	eccentric ass.with screws	excentrique complet avec cis		
23	302857-0-10	1	gabbia a rullini	needles cage	cage à aiguilles		
24	302812-0-10	1	giunto	joint	joint		
25	302846-0-10	1	tirante	tie-rod	tirant		
26	729013-2-00	1	vite	screw	vis		
27	302708-0-01	1	dado	nut	écrou		
28	302844-3-10	1	testa di biella	con-rod big end	tête de bielle		
29	743243-2-00	2	vite	screw	vis		
10	302865-0-10	1	SOLO A RICHIESTA coltello superiore	ONLY ON REQUEST upper knife	SEULEMENT SUR DEMANDE couteau supérieur		
	305671-2-00	1	coltello superiore	upper knife	couteau supérieur		
	302866-0-10	1	coltello superiore	upper knife	couteau supérieur		
12	302869-0-10	1	carterino	cover	carter		
16	305670-2-00	1	coltello inferiore	lower knife	couteau inférieur		

From the library of: Diamond Needle Corp

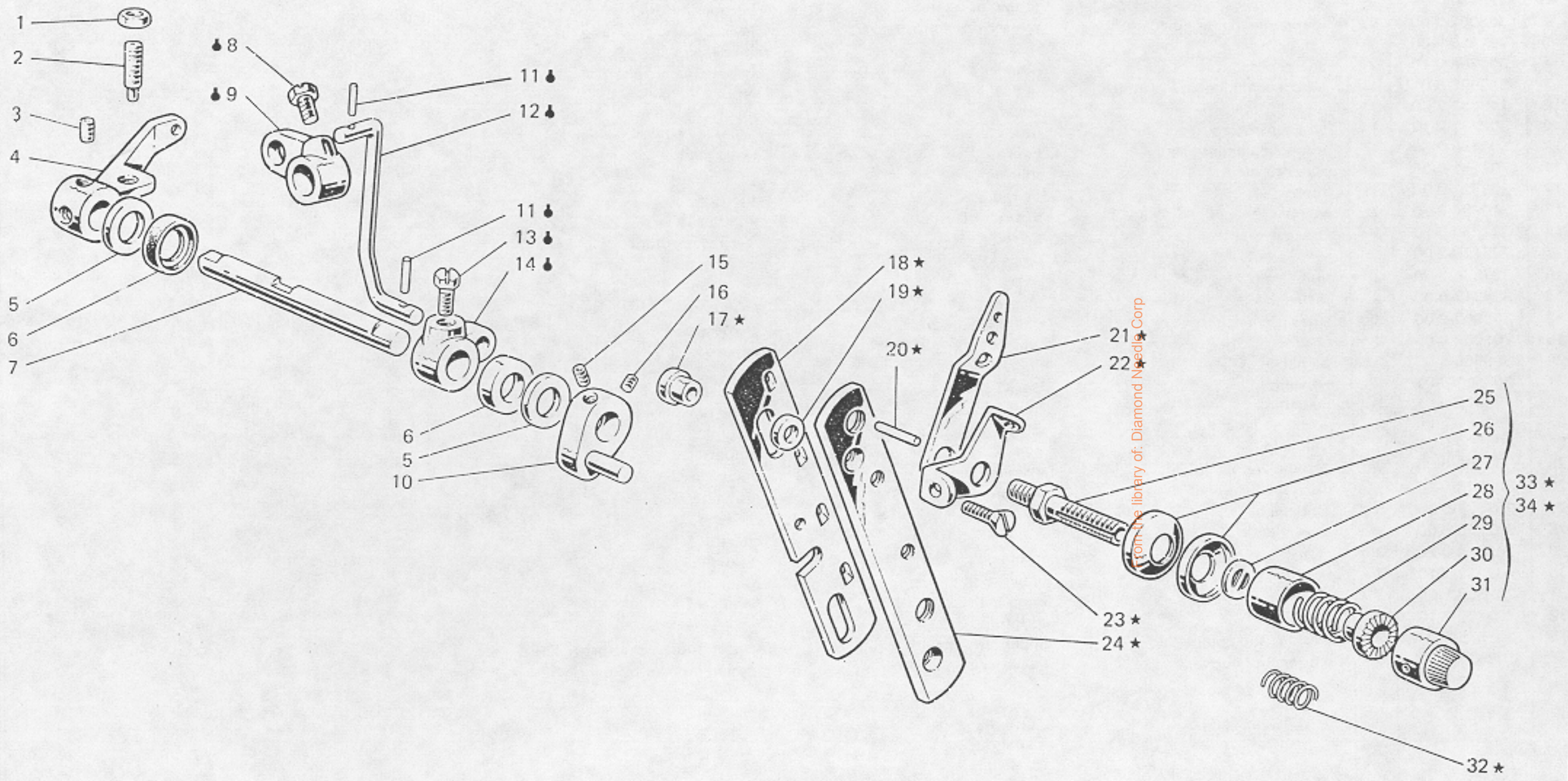


Fig. N. Abb. N.	Part. N. Piece N. Bestell N. Pieza N.	Qt. Anzahl	DESCRIZIONE	DESCRIPTION	DESCRIPTION	BENENNUNG	DESCRIPCION
★	308532-4-00	1	gruppo tensioni	tension assembly	groupe tension		
☛	308320-4-00	1	tirante con leva	tie-rod with lever	tirant avec levier		
1	746204-0-00	1	dado	nut	écrou		
2	729884-2-00	1	vite	screw	vis		
3	729034-2-00	2	vite per leva	screw for lever	vis pour levier		
4	308062-2-00	1	leva comando alza piedino	presserfoot control lever	levier soulèv. pied presseur		
5	704240-2-00	2	rondella	washer	rondelle		
6	304763-0-10	2	anello di tenuta	retainer ring	bague d'étanchéité		
7	308996-0-01	1	albero comando alza piedino	shaft	arbre		
8	740632-2-00	1	vite	screw	vis		
9	302232-0-10	1	leva superiore	upper lever	levier supérieur		
10	308496-2-00	1	leva sblocca tensione	lever	levier		
11	707241-0-00	2	spina elastica	split pin	goupille réglable		
12	308321-0-00	1	tirante	tie-rod	tirant		
13	740034-2-00	1	vite per leva	screw for lever	vis pour levier		
14	302238-0-10	1	leva per tirante	tie-rod lever	levier pour tirant		
15	745126-2-00	1	vite	screw	vis		
16	727834-2-00	1	vite	screw	vis		
17	308513-0-00	2	distanziale	spacer	entretoise		
18	308502-0-00	1	slitta per tensione	slide for tension	glissière pour tension		
19	701007-0-00	2	anello	ring	anneau		
20	308506-0-00	3	pernetto	pin	pivot		
21	308501-0-01	3	passafilo	thread guide	passe-fil		
22	308503-0-01	3	guidafilo	thread guide	guide-fil		
23	744587-2-00	2	vite	screw	vis		
24	308504-0-00	1	supporto	support	support		
25	308505-0-00	3	perno a vite	threaded pin	pivot à vis		
26	300218-0-10	6	disco tensione	tension disc	disque tension		
27	308507-0-00	3	rondella	washer	rondelle		
28	202556-0-00	3	scodellino	cup	cuvette		
29	200710-0-10	2	molla	spring	ressort		
30	202229-0-10	3	bussola superiore	upper bush	bague supérieure		
31	202558-2-00	3	pomolo	knob	pommeau		
32	200714-0-10	1	molla	spring	ressort		
33	308518-4-00	2	tensione sup.con molla fig.29	upper tension with spring fig.29	tension sup.avec ressort fig.29		
34	308521-4-00	1	tensione inf.con molla fig.32	lower tension with spring fig.32	tension inf.avec ressort fig.32		

From the library of: Diamond Needle Corp

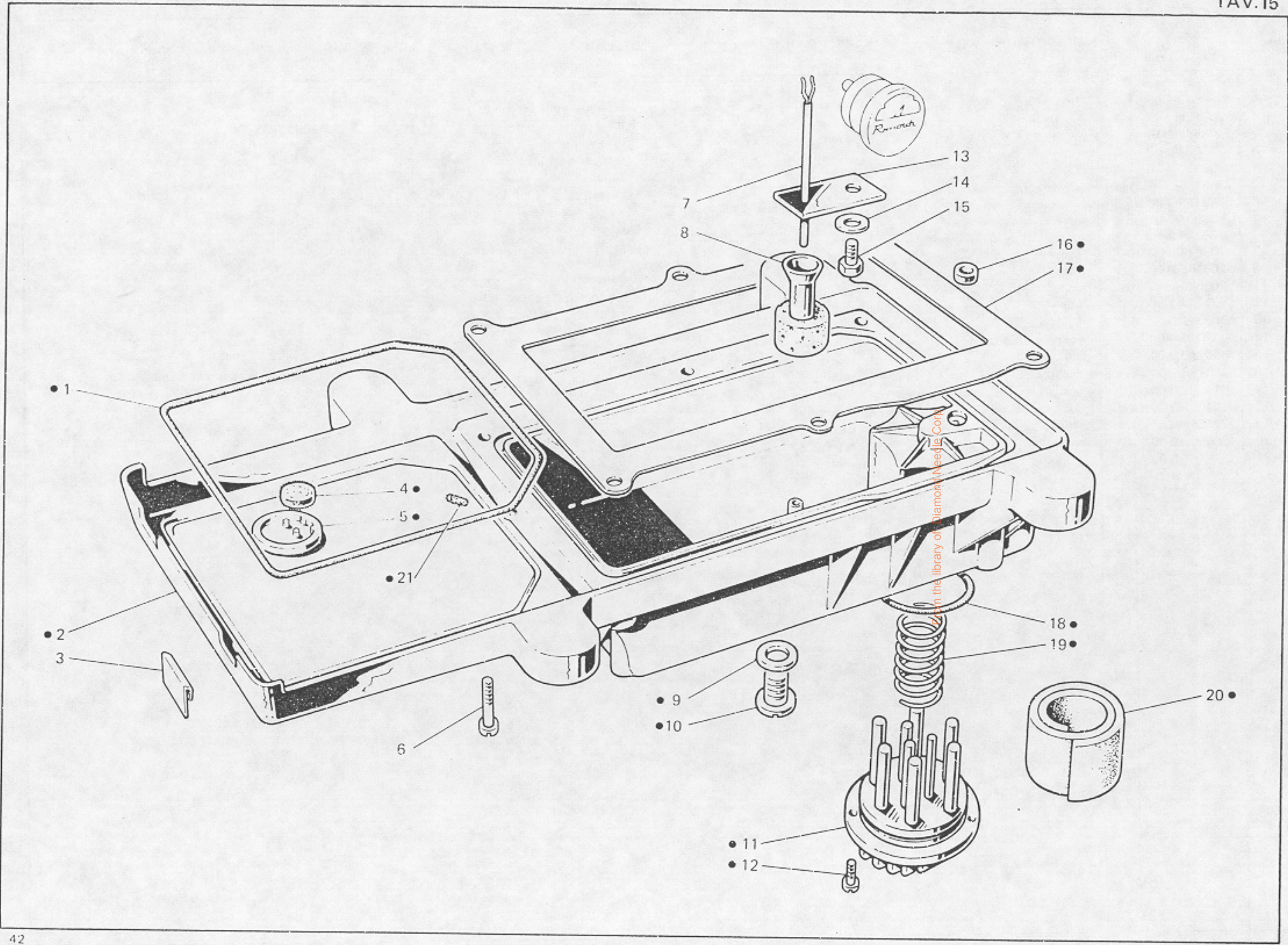


Fig. N. Abb. N.	Part. N. Bestell N. Pieza N.	Qt. Anzahl	DESCRIZIONE	DESCRIPTION	DESCRIPTION	BENENNUNG	DESCRIPCION
●	308589-4-03	1	bacinella olio completa	oil sump assembly	reservoir huile complet		
1	308125-0-00	1	guarnizione	gasket	garniture		
2	308577-2-10	1	bacinella	sump	reservoir		
3	308002-0-00	2	piastrina per bacinella	sheet for sump	plaquette pour reservoir		
4	308151-0-00	1	filtro	filter	filtre		
5	308150-0-10	1	scodellino recupero olio	cup	cuvette		
6	722453-2-00	6	vite per fiss.bacinella	sump fixing screw	vis blocage reservoir		
7	308231-2-01	1	astina livello olio	stick	jauge niveau huile		
8	308228-2-00	1	galleggiante	float	flotteur		
9	705977-0-00	1	rondella	washer	rondelle		
10	206564-0-00	1	tappo	plug	bouchon		
11	206560-0-10	1	coperchio	cover	couvercle		
12	721464-2-00	2	vite	screw	vis		
13	308226-0-02	1	guida astina	guide for stick	guide barre		
14	703003-0-00	1	rondella elastica	spring washer	rondelle élastique		
15	740240-0-00	1	vite	screw	vis		
16	308113-0-00	1	anello	oil ring	bague d'étanchéité		
17	311395-0-00	1	guarnizione	gasket	garniture		
18	701051-0-00	1	guarnizione	gasket	garniture		
19	206545-0-00	1	molla a spirale	spring	ressort		
20	206559-0-00	1	filtro	filter	filter		
21	778461-0-00	1	stoppino	wick	mèche		

From the library of: Diamond Needle Corp

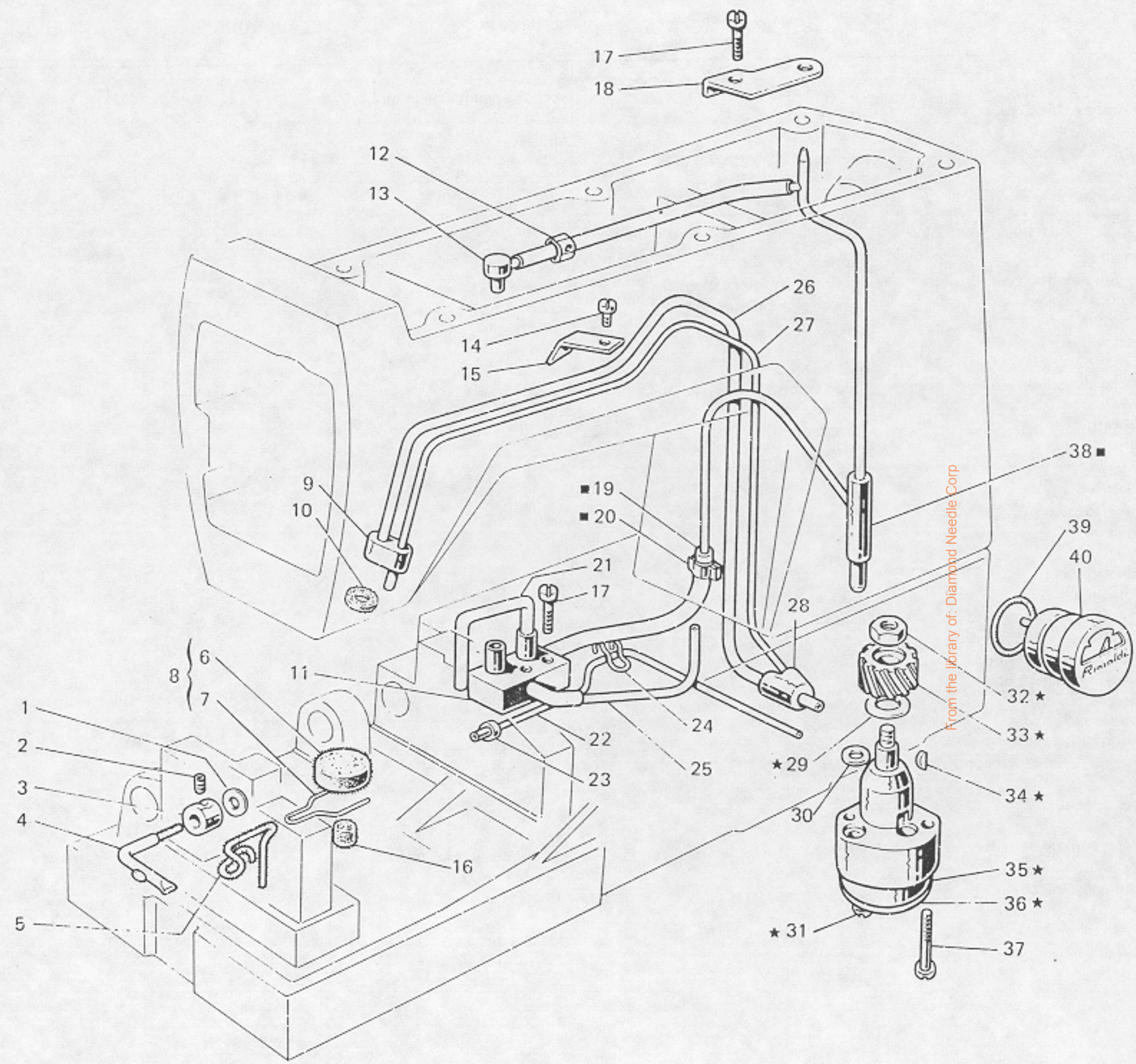


Fig. N. Abb. N.	Part. N. Piece N. Bestell N. Pieza N.	Qt. Anzahl	DESCRIZIONE	DESCRIPTION	DESCRIPTION	BENENNUNG	DESCRIPCION
■	310500-4-00	1	raccordo mandata olio compl.	pipe connection assembly	raccord envoi huile compl.		
★	308105-4-01	1	pompa olio completa	oil pump assembly	pumpe huile complète		
1	300420-0-10	1	rondella	washer	rondelle		
2	730011-2-00	1	vite	screw	vis		
3	300419-0-10	1	raccordo	raccord	raccord		
4	308243-3-00	1	tubetto e stoppino	pipe and wick	tube et mèche		
5	778240-0-00	1	stoppino	wick	mèche		
6	308153-0-00	1	filtro	filter	filtre		
7	308154-0-00	1	molletta	spring	ressort		
8	308155-4-01	1	gruppo molletta con filtro	spring with filter assembly	groupe ressort avec filtre		
9	308123-0-00	1	raccordo superiore	upper pipe union	raccord supérieur		
10	308219-0-00	1	feltro	felt	feutre		
11	308114-2-01	1	distributore	distributor	distributeur		
12	308040-2-00	1	tubetto	pipe	tube		
13	308214-0-00	1	raccordo mandata olio	pipe union	raccord		
14	721424-2-00	1	vite	screw	vis		
15	308184-0-00	1	fascetta	clamp	bride		
16	308295-0-00	1	filtro	filter	filtre		
17	721514-0-00	3	vite	screw	vis		
18	308104-0-00	1	piastrina	plate	plaquette		
19	308207-0-00	1	tubetto	pipe	tube		
20	308043-0-00	1	fascetta	clamp	bride		
21	790307-0-00	1	tubetto	pipe	tube		
22	790325-0-00	1	tubetto	pipe	tube		
23	308212-0-00	1	bussolina olio	bush	bague		
24	308211-0-00	2	clip	clip	clip		
25	790315-0-00	1	tubetto	pipe	tube		
26	790342-0-00	1	tubetto recupero olio	pipe	tube		
27	790242-0-00	1	tubetto recupero olio	pipe	tube		
28	308185-0-00	1	raccordo inferiore	lower pipe union	raccord inférieur		
29	704813-0-00	1	rondella	washer	rondelle		
30	701004-0-00	1	anello di tenuta	oil ring	bage d'étanchéité		
31	741082-2-00	2	vite	screw	vis		
32	733507-0-00	1	dado	nut	écrou		
33	206555-0-01	1	ingranaggio	gear	engrenage		
34	206557-0-00	1	chiavetta	key	clavette		
35	308110-3-01	1	corpo pompa aspirante	suction pump body	corps pompe admission		
36	308111-0-00	1	coperchio pompa	pump cover	couvercle pompe		
37	741092-0-00	2	vite fissaggio pompa	pump fixing screw	vis fixation pompe		
38	308180-2-00	1	raccordo mandata olio	pipe union	raccord		
39	701032-0-00	1	anello di tenuta	oil ring	bage d'étanchéité		
40	206669-2-02	1	indicatore livello olio	oil level gauge	indicateur niveau huile		

From the library of: Diamond Needle Corp

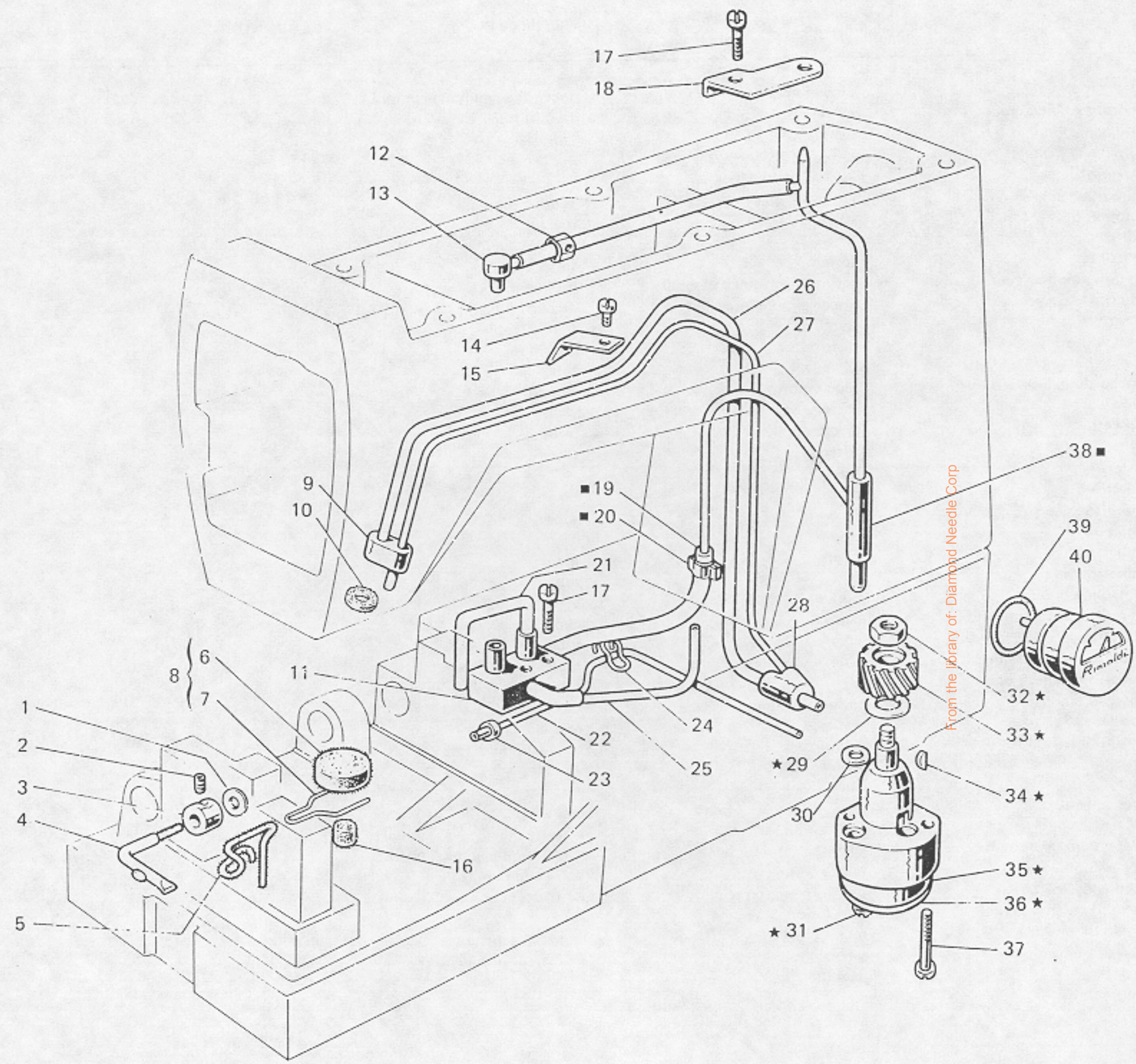
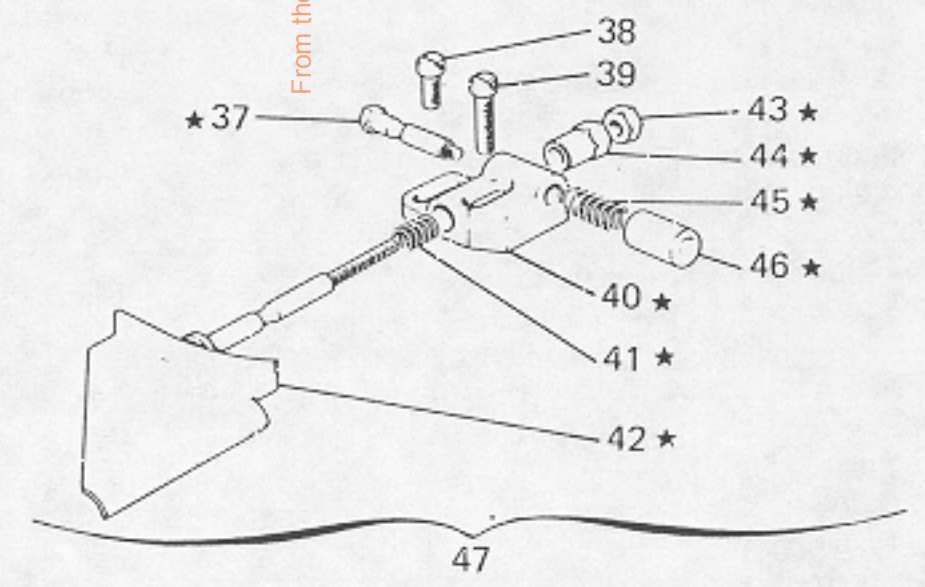
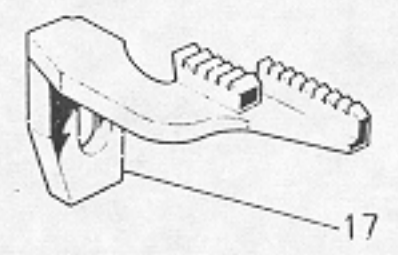
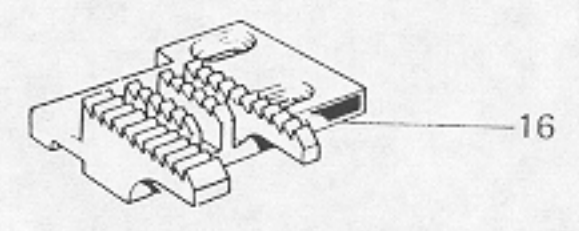
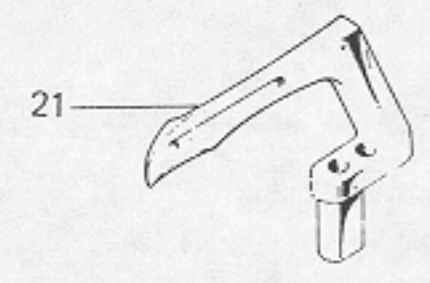
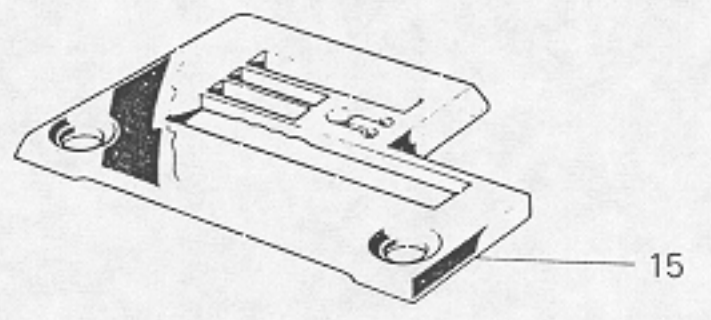
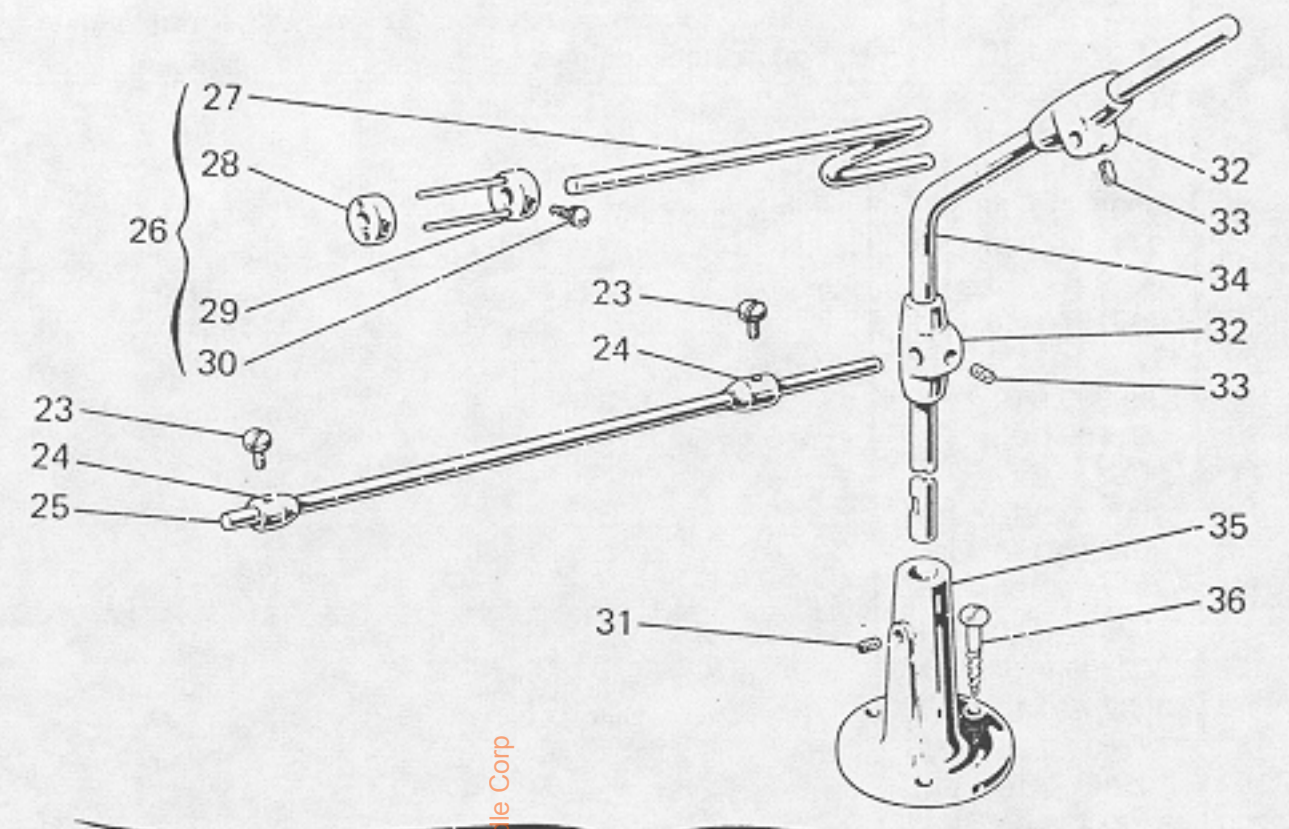
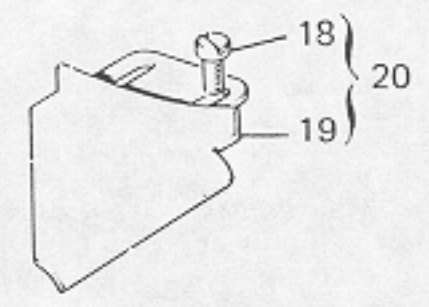
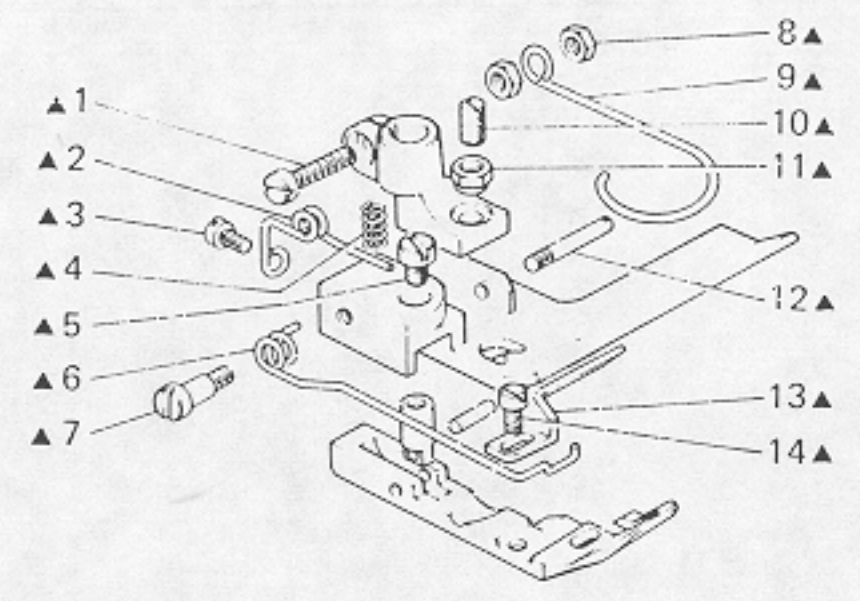


Fig. N. Abb. N.	Part. N. Piecce N. Bestell N. Pieza N.	Qt. Anzahl	DESCRIZIONE	DESCRIPTION	DESCRIPTION	BENENNUNG	DESCRIPCION
●	308934-4-00	1	gruppo tensione crochet infer.	tension assembly for lower looper	groupe tension crochet inférieur		
1	308556-0-00	1	astina	rod	tige		
2	705201-0-00	1	rondella	washer	rondelle		
3	740220-2-00	1	vite	screw	vis		
4	741413-2-00	2	vite	screw	vis		
5	302172-0-10	2	passafilo	thread guide	passe-fil		
6	741612-0-00	1	vite	screw	vis		
7	308558-0-00	1	traversino	tie-rod	traverse		
8	302204-0-10	1	pomolo	knob	pommeau		
9	300310-0-10	1	molla	spring	ressort		
10	704218-2-00	1	rondella	washer	rondelle		
11	200324-0-10	2	disco tensione	tension disc	disque tension		
12	300391-0-10	1	perno a vite	threaded pin	pivot à vis		
13	741642-2-00	1	vite	screw	vis		
14	302168-2-10	1	supporto	support	support		
15	308553-2-00	1	piastra	plate	plaque		
16	721444-2-00	2	vite	screw	vis		
17	308551-0-00	1	squadretta	bracket	équerre		
18	704302-4-00	3	rondella	washer	rondelle		
19	740210-2-00	2	vite	screw	vis		
20	302064-0-10	1	salva ago	needle guard	protège aiguille		
21	300483-0-10	4	vite	screw	vis		
22	302136-0-12	1	passafilo	thread guide	passe-fil		
23	308137-0-00	1	cavalotto	coupling	cavalier		
24	308201-0-01	1	passafilo	thread guide	passe-fil		
25	724420-2-00	1	vite	screw	vis		
26	729011-2-00	1	vite	screw	vis		
27	741682-0-00	1	vite	screw	vis		
28	302149-0-11	1	passafilo	thread guide	passe-fil		
29	311098-0-00	2	passafilo	thread guide	passe-fil		
30	704210-4-00	2	rondella	washer	rondelle		
31	303045-0-10	2	vite	screw	vis		
32	308203-0-01	2	guidafilo	thread guide	guide-fil		

From the library of: Diamond Needle Corp

Fig. N. Abb. N.	Part. N. Piece N. Bestell N. Pieza N.	Qt. Anzahl	DESCRIZIONE	DESCRIPTION	DESCRIPTION	BENENNUNG	DESCRIPCION
■	310500-4-00	1	raccordo mandata olio compl.	pipe connection assembly	raccord envoi huile compl.		
★	308105-4-01	1	pompa olio completa	oil pump assembly	pumpe huile complète		
1	300420-0-10	1	rondella	washer	rondelle		
2	730011-2-00	1	vite	screw	vis		
3	300419-0-10	1	raccordo	raccord	raccord		
4	308243-3-00	1	tubetto e stoppino	pipe and wick	tube et mèche		
5	778240-0-00	1	stoppino	wick	mèche		
6	308153-0-00	1	filtro	filter	filtre		
7	308154-0-00	1	molletta	spring	ressort		
8	308155-4-01	1	gruppo molletta con filtro	spring with filter assembly	groupe ressort avec filtre		
9	308123-0-00	1	raccordo superiore	upper pipe union	raccord supérieur		
10	308219-0-00	1	feltro	felt	feutre		
11	308114-2-01	1	distributore	distributor	distributeur		
12	308040-2-00	1	tubetto	pipe	tube		
13	308214-0-00	1	raccordo mandata olio	pipe union	raccord		
14	721424-2-00	1	vite	screw	vis		
15	308184-0-00	1	fascetta	clamp	bride		
16	308295-0-00	1	filtro	filter	filtre		
17	721514-0-00	3	vite	screw	vis		
18	308104-0-00	1	piastrina	plate	plaquette		
19	308207-0-00	1	tubetto	pipe	tube		
20	308043-0-00	1	fascetta	clamp	bride		
21	790307-0-00	1	tubetto	pipe	tube		
22	790325-0-00	1	tubetto	pipe	tube		
23	308212-0-00	1	bussolina olio	bush	bague		
24	308211-0-00	2	clip	clip	clip		
25	790315-0-00	1	tubetto	pipe	tube		
26	790342-0-00	1	tubetto recupero olio	pipe	tube		
27	790242-0-00	1	tubetto recupero olio	pipe	tube		
28	308185-0-00	1	raccordo inferiore	lower pipe union	raccord inférieur		
29	704813-0-00	1	rondella	washer	rondelle		
30	701004-0-00	1	anello di tenuta	oil ring	bague d'étanchéité		
31	741082-2-00	2	vite	screw	vis		
32	733507-0-00	1	dado	nut	écrou		
33	206555-0-01	1	ingranaggio	gear	engrenage		
34	206557-0-00	1	chiavetta	key	clavette		
35	308110-3-01	1	corpo pompa aspirante	suction pump body	corps pompe admission		
36	308111-0-00	1	coperchio pompa	pump cover	couvercle pompe		
37	741092-0-00	2	vite fissaggio pompa	pump fixing screw	vis fixation pompe		
38	308180-2-00	1	raccordo mandata olio	pipe union	raccord		
39	701032-0-00	1	anello di tenuta	oil ring	bague d'étanchéité		
40	206669-2-02	1	indicatore livello olio	oil level gauge	indicateur niveau huile		

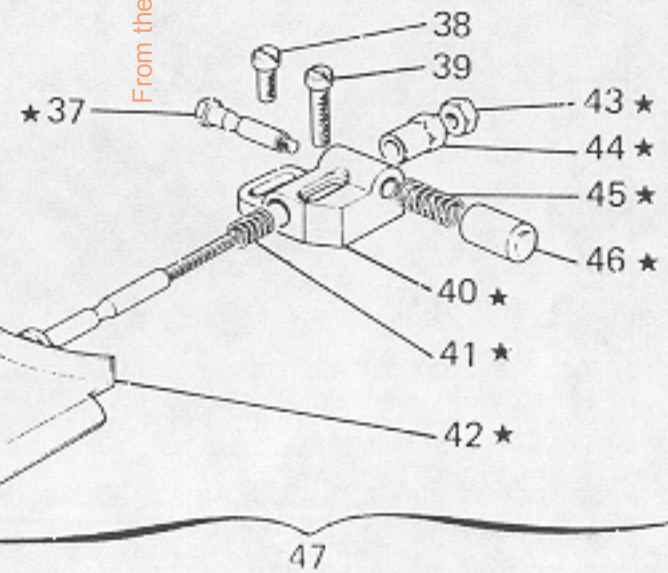
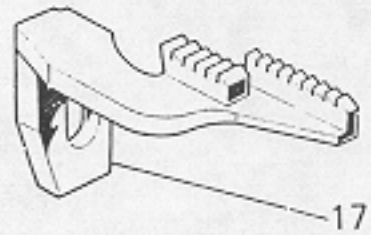
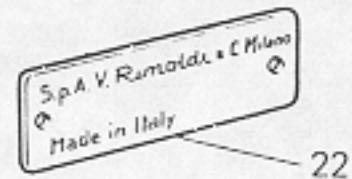
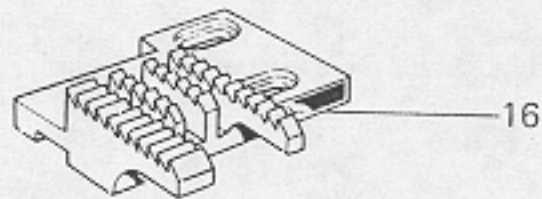
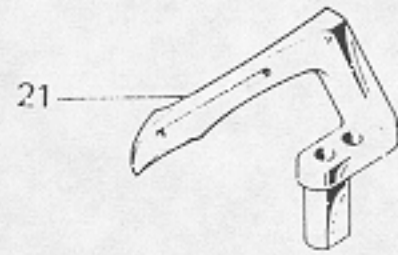
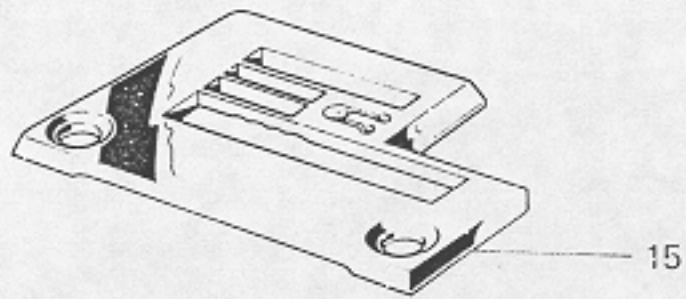
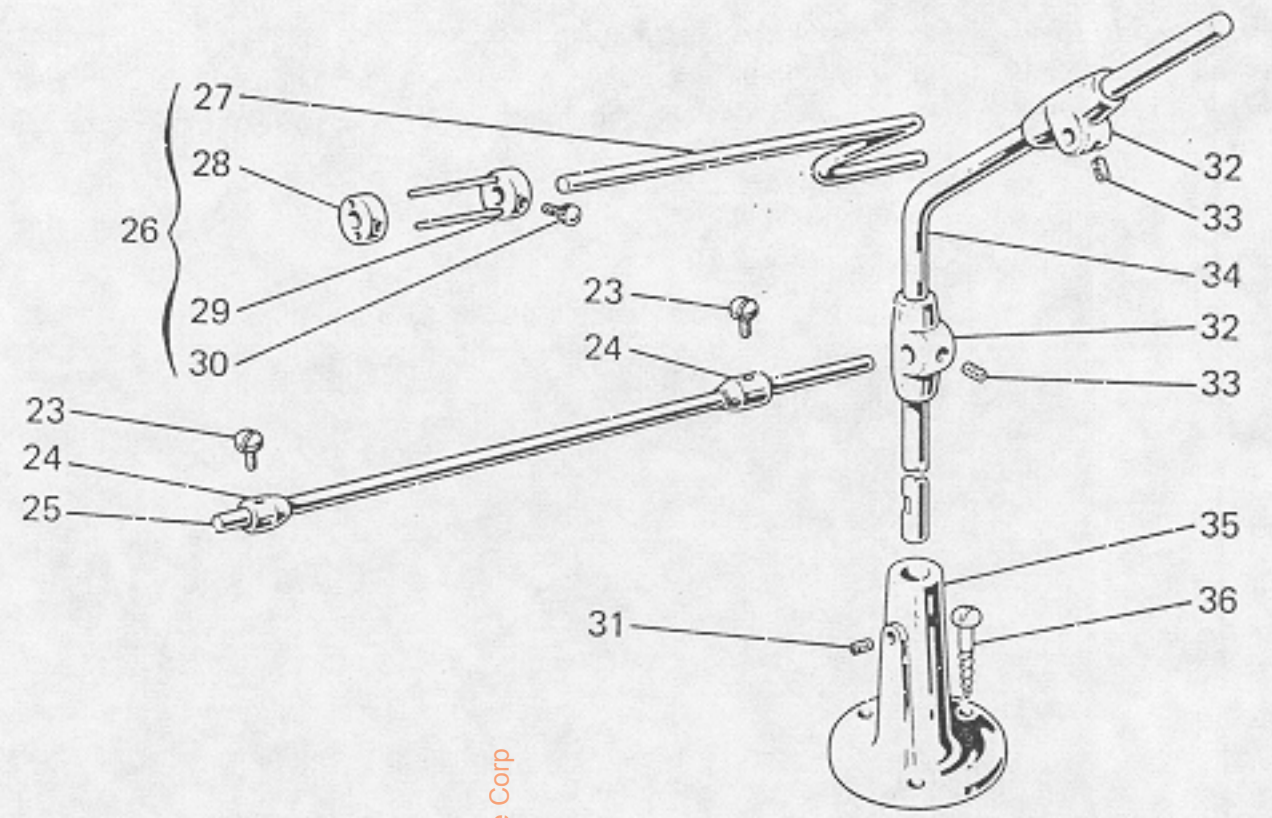
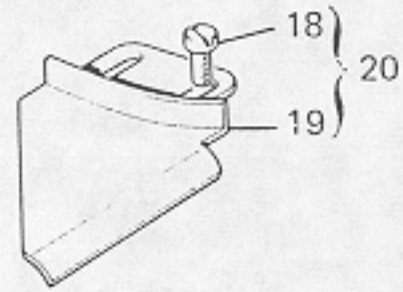
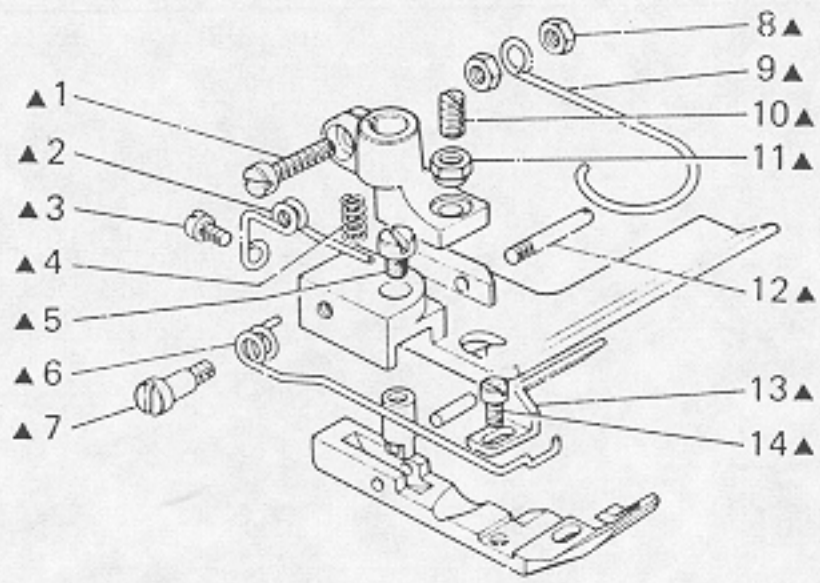
From the library of: Diamond Needle Corp



From the library of: Diamond Needle Corp

Fig. N. Abb. N.	Part. N. Bestell N. Piece N. Pieza N.	Qt. Anzahl	DESCRIZIONE	DESCRIPTION	DESCRIPTION	BENENNUNG	DESCRIPCION
▲	306679-3-00	1	pedino completo	presserfoot assembly	pied-presseur complet		
●	990709-4-12	1	porta rotolo completo	roll carrier assembly	porte-rouleau complet		
1	741781-2-00	1	vite	screw	vis		
2	300119-0-11	1	molla	spring	ressort		
3	721411-2-00	1	vite	screw	vis		
4	303052-0-00	1	molla	spring	ressort		
5	741414-2-00	1	vite	screw	vis		
6	302821-0-10	1	molla	spring	ressort		
7	743134-2-00	1	vite	screw	vis		
8	733504-2-00	2	dado	nut	écrou		
9	990808-0-01	1	salvadita	protection	protection		
10	301596-0-11	1	vite	screw	vis		
11	301598-0-11	1	dado	nut	écrou		
12	300120-0-10	1	spina	pin	goupille		
13	302773-0-11	1	guida	guide	guide		
14	741413-2-00	1	vite	screw	vis		
15	302811-0-10	1	placca ago	needle plate	plaque aiguille		
16	302796-0-10	1	griffa principale	main feed dog	griffe principale		
17	302798-0-10	1	griffa differenziale	differential feed dog	griffe différentielle		
18	721434-2-00	2	vite	screw	vis		
19	302851-2-10	1	guida	guide	guide		
20	310040-4-00	1	guida con viti	guide with screws	guide avec vis		
21	302057-0-11	1	crochet inferiore	lower looper	crochet intérieur		
22	784364-0-20	1	targhetta classe testa	head class plate	plaque classe tête		
23	990596-0-10	2	pomolo	knob	pommeau		
24	990594-2-00	2	anello di registro con pomolo	adjustment ring with knob	anneau de réglage avec pommeau		
25	990593-0-11	1	spina	pin	goupille		
26	990705-4-11	1	passa nastro	strap guide	guide pour bande		
27	990704-0-11	1	spina	pin	goupille		
28	990708-0-10	1	morsetto	clamp	bride		
29	990707-2-10	1	morsetto con spine	clamp with pins	bride avec goupilles		
30	930096-0-10	2	pomolo	knob	pommeau		
31	729054-2-00	1	vite	screw	vis		
32	991153-2-00	2	supporto con viti	support with screws	support avec vis		
33	729024-2-00	4	vite	screw	vis		
34	990703-0-11	1	asta	rod	tige		
35	991114-2-00	1	basetta con vite	base with screw	base avec vis		
36	731107-2-00	3	vite da legno	screw	vis		
			SOLO A RICHIESTA	ONLY ON REQUEST	SEULEMENT SUR DEMANDE		
★	302765-4-10	1	guida regolabile	control guide	guide réglable		
37	302762-0-10	1	perno	pin	pivot		
38	721474-2-00	1	vite	screw	vis		
39	721494-2-00	1	vite	screw	vis		
40	302768-0-10	1	blocchetto	block	bloc		
41	302766-0-10	1	molla	spring	ressort		
42	302764-2-10	1	guida	guide	guide		
43	746021-2-00	1	dado	nut	écrou		
44	302769-0-10	1	pomolo	knob	pommeau		

From the library of: Diamond Needle Corp



From the library of: Diamond Needle Corp

Fig. N. Abb. N.	Part. N. Piece N. Bestell N. Pieza N.	Qt. Anzahl	DESCRIZIONE	DESCRIPTION	DESCRIPTION	BENENNUNG	DESCRIPCION
45	302767-0-10	1	molla	spring	ressort		
46	302770-0-10	1	pomolo	knob	pommeau		
47	310043-4-00	1	guida regolabile completa	control guide assembly	guide réglable complet		

From the library of: Diamond Needle Corp

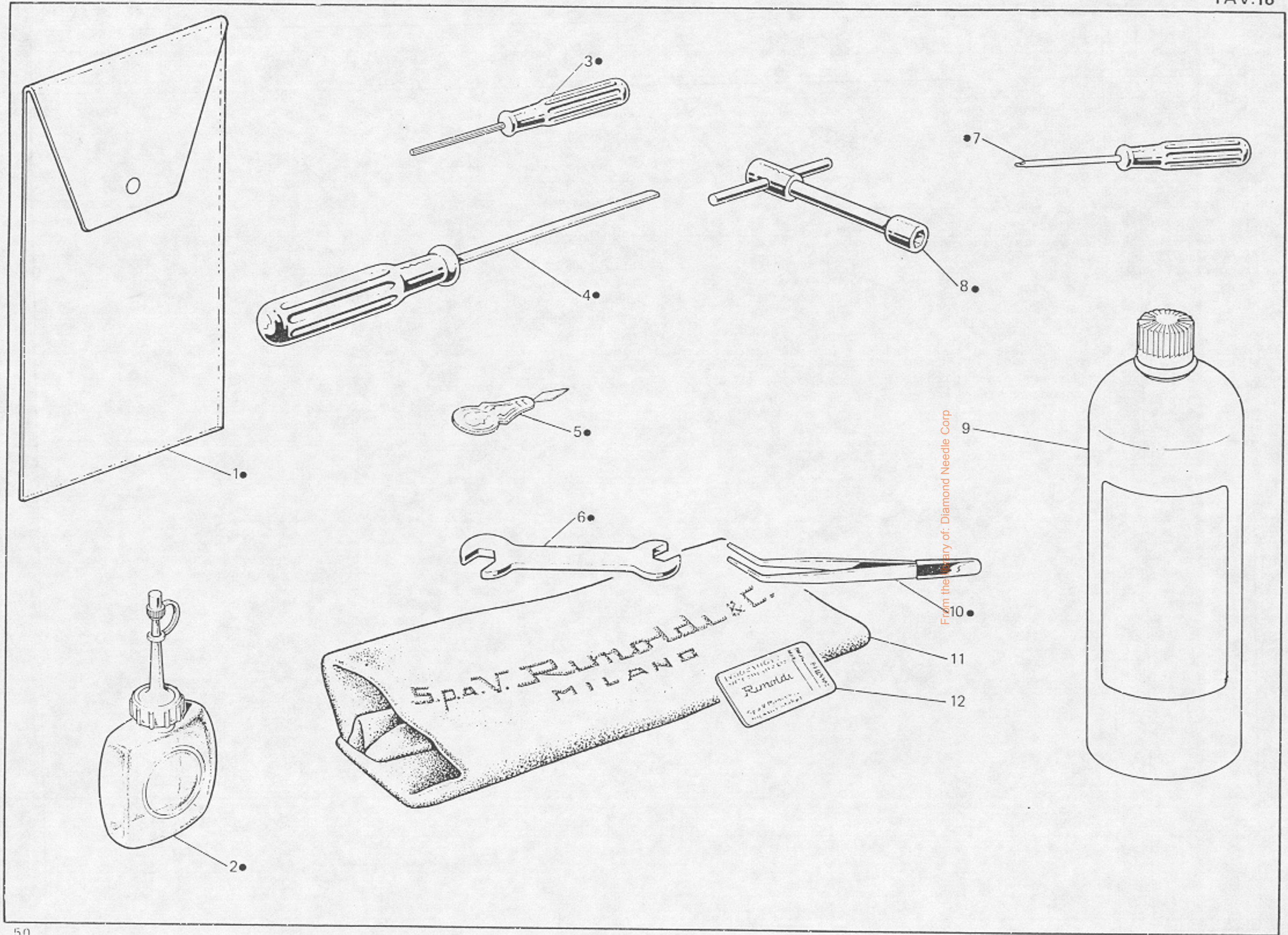
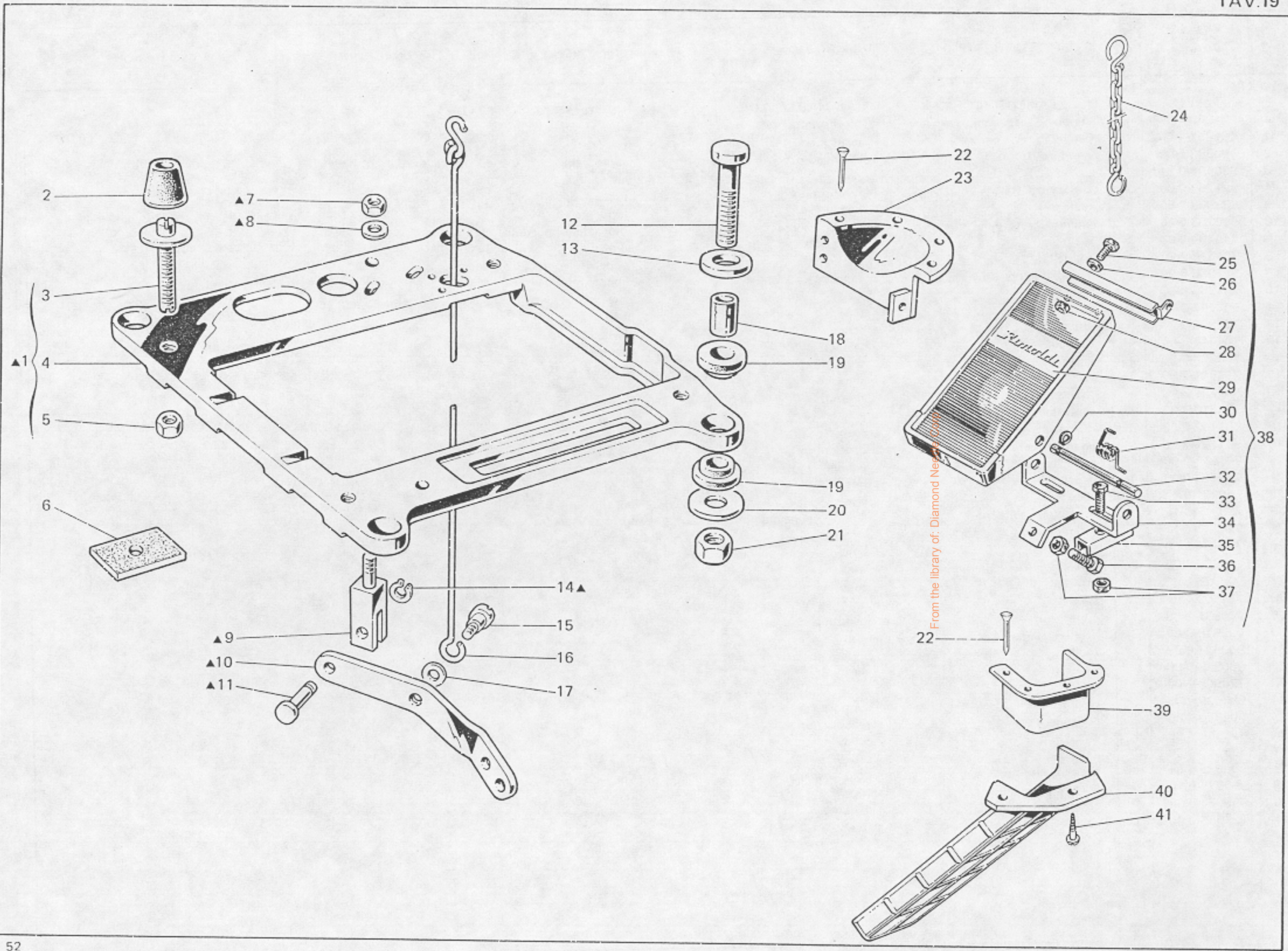


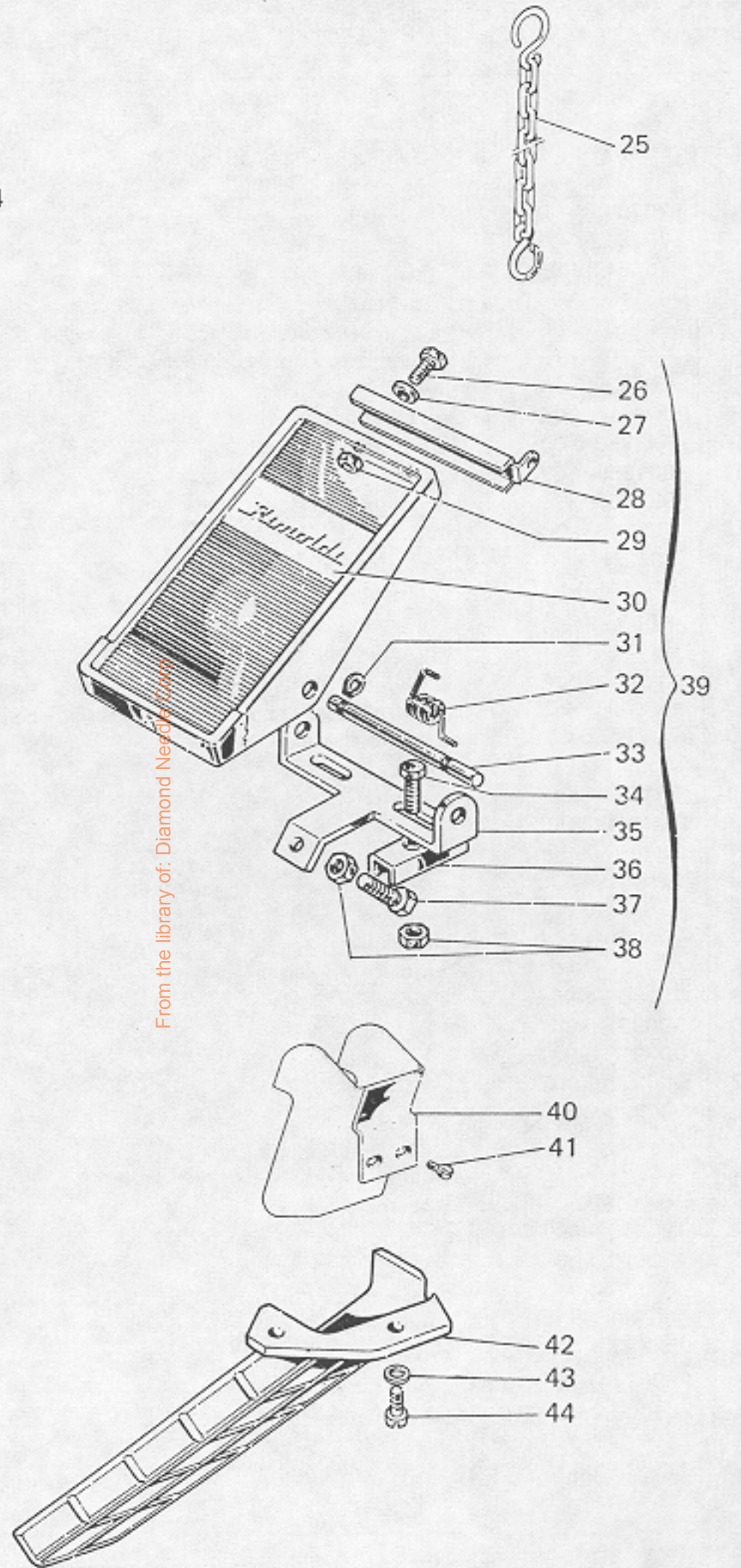
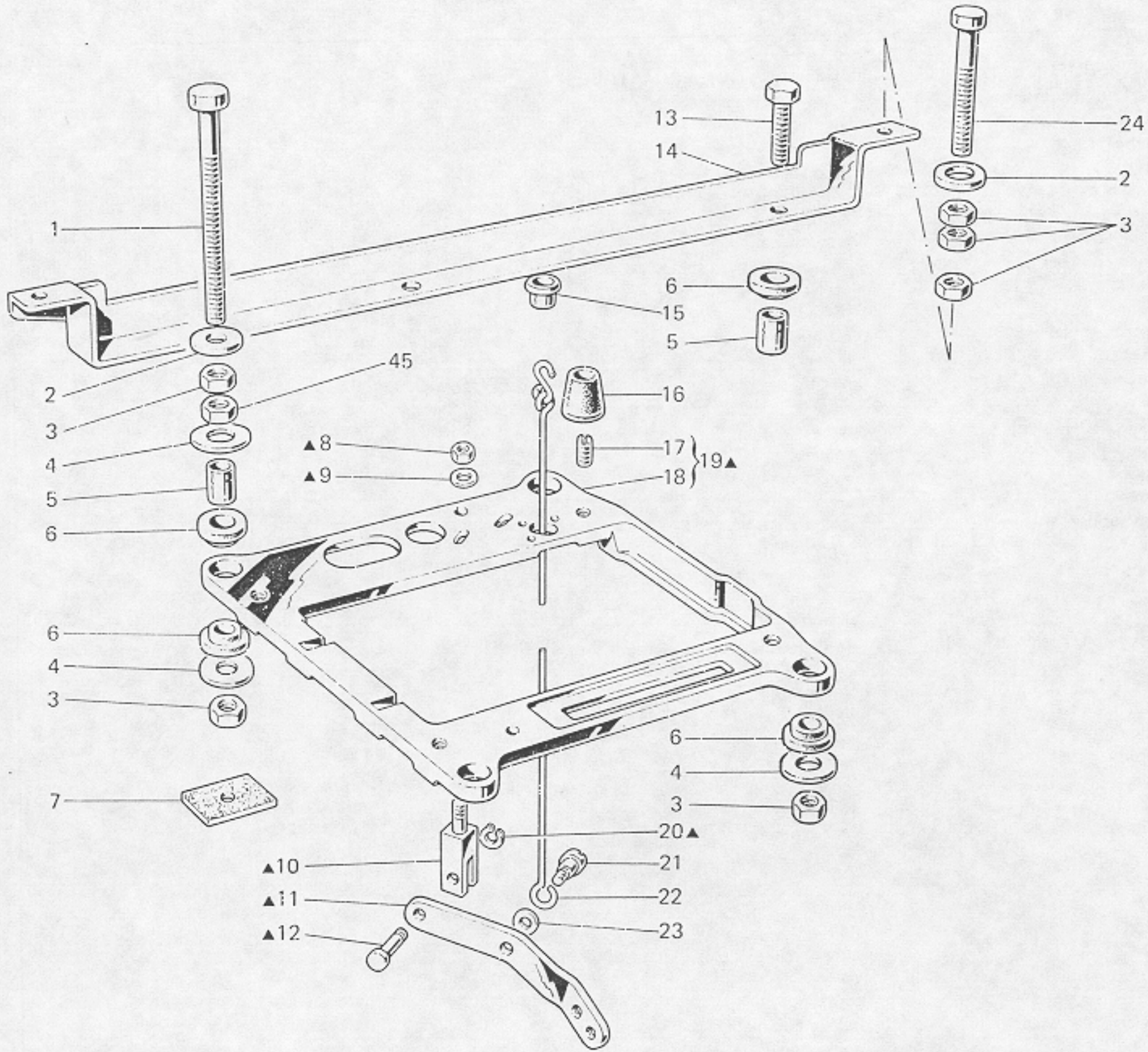
Fig. N. Abb. N.	Part. N. Piece N. Bestell N. Pieza N.	Qt. Anzahl	DESCRIZIONE	DESCRIPTION	DESCRIPTION	BENENNUNG	DESCRIPCION
●	991408-4-00	1	busta accessori completa	accessories envelope assembly	envelope accessoires complète		
1	991415-0-00	1	busta accessori	accessories envelope	envelope accessoires		
2	990175-0-10	1	oliatore	oiler	graisseur		
3	990474-0-11	1	chiave esagonale da 1,5 mm	1,5 mm hexagonal key	clé hexagonale da 1,5 mm		
4	990181-0-10	1	cacciavite medio	screw-driver	tournevis moyen		
5	990188-0-10	1	infilatura aghi	needle threading	enfiles aiguilles		
6	990193-0-00	1	chiave da 5-7 mm	5-7 mm key	clé da 5-7 mm		
7	990182-0-10	1	cacciavite piccolo	screw driver	petite tournevis		
8	990587-0-10	1	chiave a tubo da 9 mm	9 mm key	clé à tube de 9 mm		
9	990075-1-13	1	lattina olio kg.1	oil container (1kg.)	bidon huile de 1 kg.		
10	990176-0-10	1	pinza per infilatura	threading tweezers	pince pour infilage		
11	990578-0-12	1	cuffia protez.machina	machine cover	couverture protection machine		
12	★	1	bustina aghi	needle packet	paquette aiguille		
			★per l'ordinazione della bustina citare lo stesso simbolo dell'ago montato sulla testa	★to order packet of needles please specify symbol of needle fitted on machine	★pour commander un sachet d'aiguilles donner le symboi de l'aiguille montée sur la tête		



From the library of: Diamond News

Fig. N. Abb. N.	Part. N. Bestell N. Piece N. Pieza N.	Qt. Anzani	DESCRIZIONE	DESCRIPTION	DESCRIPTION	BENENNUNG	DESCRIPCION
▲	991253-4-00	1	PIAZZAMENTO NORMALE	NORMAL SETTING	INSTALLATION NORMAL		
1	991251-4-00	1	supporto testa completo	head support assembly	support tête complet		
2	990982-0-00	4	supporto testa con perno	head support with pin	support tête avec pivot		
3	990694-0-11	4	ammortizzatore	shock absorber	amortisseur		
4	991250-0-00	1	perno	pin	pivot		
5	733008-2-00	4	supporto testa	head support	support tête		
6	900203-0-10	4	dado	nut	écrou		
7	746409-2-00	1	ammortizzatore per tavola	shock absorber	amortisseur pour table		
8	704316-2-00	1	dado	nut	écrou		
9	991256-0-00	1	rondella	washer	rondelle		
10	991255-0-00	1	supportino per leva	support for lever	support pour levier		
11	991257-0-00	1	leva	lever	levier		
12	722905-2-00	4	perno	pin	pivot		
13	704346-2-00	4	vite	screw	vis		
14	700208-0-00	1	rondella	washer	rondelle		
15	743541-2-00	1	anello elastico	spring ring	anneau ressort		
16	991259-3-00	1	vite	screw	vis		
17	704310-2-00	1	tirante	tie-rod	tirant		
18	901102-0-00	4	rondella	washer	rondelle		
19	901101-0-00	8	distanziale	spacer	entretoise		
20	704345-2-00	4	ammortizzatore	shock absorber	amortisseur		
21	733813-0-00	4	rondella	washer	rondelle		
22	900201-0-10	13	dado	nut	écrou		
23	990317-0-10	1	chiodini	rivets	clous		
24	990179-4-11	1	protezione volante	handwheel protection	protection volant		
25	720464-0-00	2	catenella	chain	chainette		
26	704009-4-00	2	vite	screw	vis		
27	900926-0-00	1	rondella	washer	rondelle		
28	733508-4-00	2	attacco	coupling	raccord		
29	900931-0-00	1	dado	nut	écrou		
30	900918-0-00	2	copertura	covering	couverture		
31	900927-0-00	1	anello elastico	spring ring	anneau ressort		
32	900928-0-00	1	molla	spring	ressort		
33	720505-4-00	2	perno	pin	pivot		
34	900929-0-01	1	vite	screw	vis		
35	900920-0-00	2	supporto	support	support		
36	720545-4-00	1	piatrina	plate	plaquette		
37	733510-4-00	3	vite	screw	vis		
38	900925-4-01	1	dado	nut	écrou		
39	990675-0-10	1	pedalina completa	pedal assembly	pédale complète		
40	990674-0-00	1	bocchetta	cup	bouche		
41	731086-0-00	2	canale scarica ritagli	offlet	canal décharge-chutes		
			vite da legno	screw	vis		

From the library of: Diamond Needle Corp



From the library of: Diamond Needle Co.

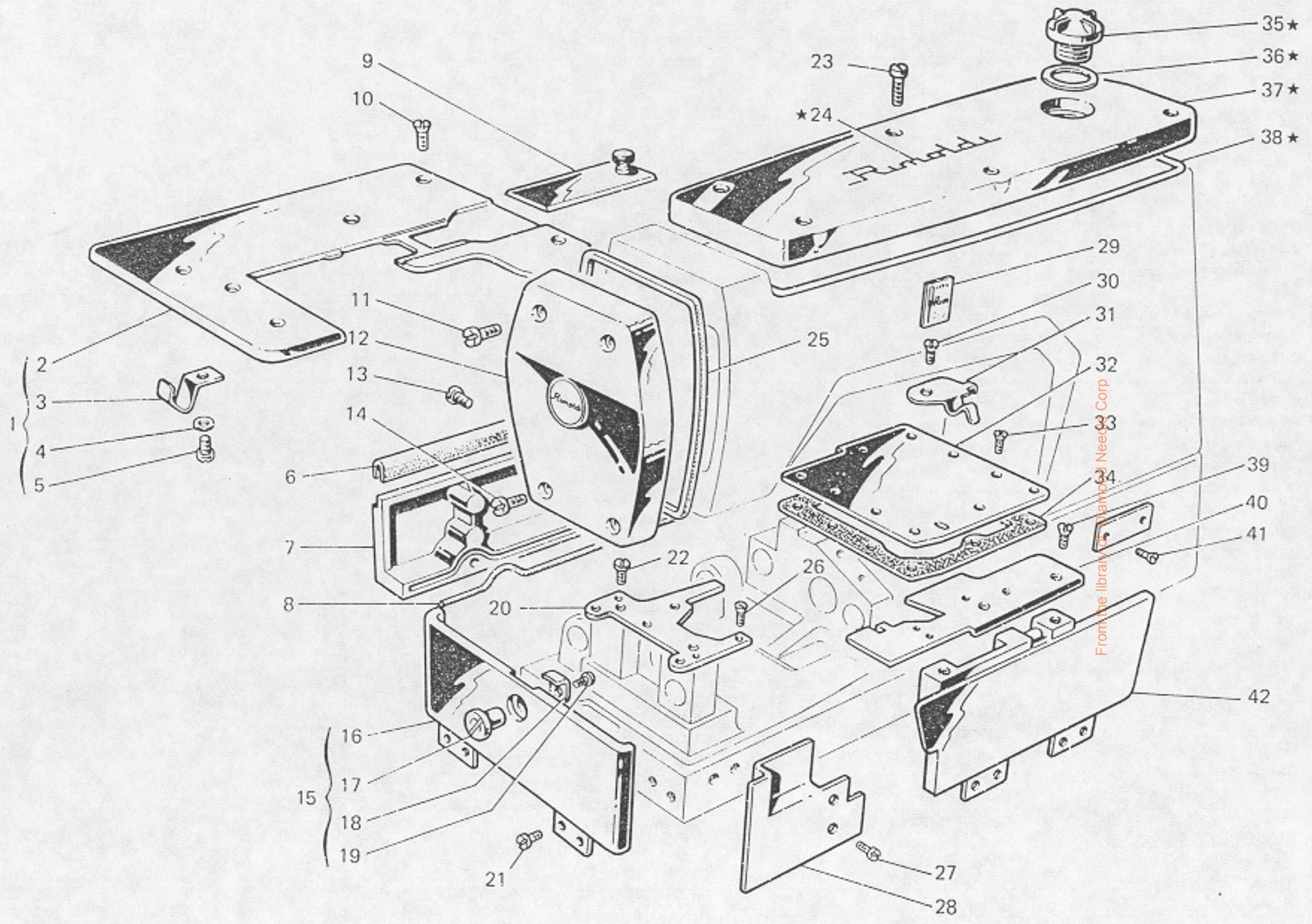
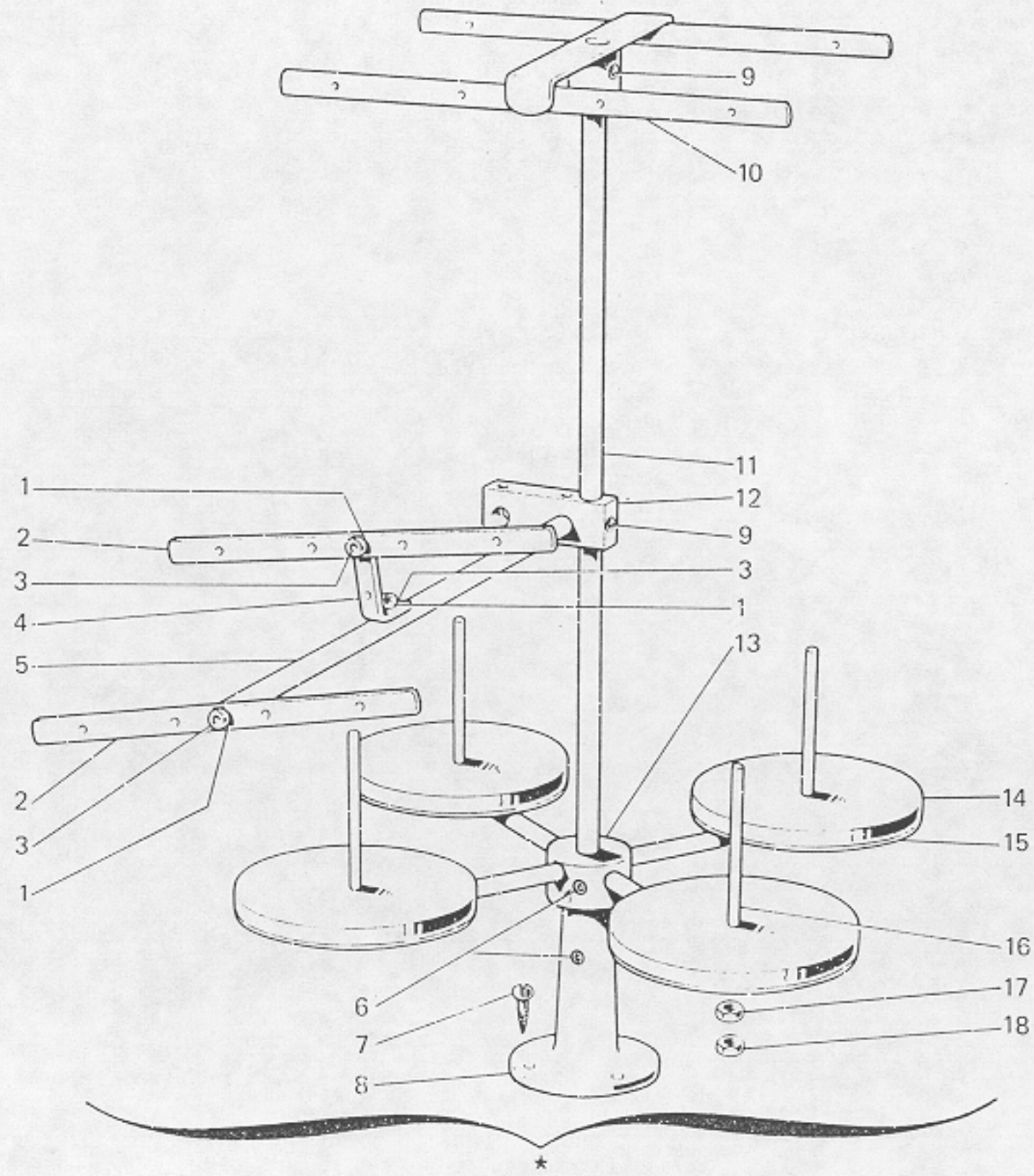


Fig. N. Abb. N.	Part. N. Piece N. Bestell N. Pieza N.	Qt. Anzahl	DESCRIZIONE	DESCRIPTION	DESCRIPTION	BENENNUNG	DESCRIPCION
▲	991254-4-00	1	PIAZZAMENTO INCASSATO	SUBMERGED SETTING	INSTALLATION ENCASTREE		
1	722920-2-00	2	supporto testa completo	head support assembly	support tête complet		
2	704346-2-00	4	vite	screw	vis		
3	733813-0-00	10	rondella	washer	rondelle		
4	704345-2-00	6	dado	nut	écrou		
5	901102-0-00	4	rondella	washer	rondelle		
6	901101-0-00	8	distanziale	spacer	entretoise		
7	900203-0-10	4	ammortizzatore	shock absorber	amortisseur		
8	746409-2-00	1	ammortizzatore per tavola	shock absorber	amortisseur pour table		
9	704316-2-00	1	dado	nut	écrou		
10	991256-0-00	1	rondella	washer	rondelle		
11	991255-0-00	1	supportino per leva	support for lever	support pour levier		
12	991257-0-00	1	leva	lever	levier		
13	720546-0-00	2	perno	pin	pivot		
14	901255-2-00	1	vite	screw	vis		
15	900204-0-10	1	staffa	bracket	bride		
16	990982-0-00	4	bussola	bush	bage		
17	901253-0-00	4	ammortizzatore	shock absorber	amortisseur		
18	991250-0-00	1	vite	screw	vis		
19	991252-4-00	1	supporto testa	head support	support tête		
20	700208-0-00	1	supporto testa con viti	head support with screws	support tête avec vis		
21	743541-2-00	1	anello elastico	spring ring	anneau ressort		
22	991259-3-00	1	vite	screw	vis		
23	704310-2-00	1	tirante	tie-rod	tirant		
24	722907-2-00	2	rondella	washer	rondelle		
25	990179-4-11	1	vite	screw	vis		
26	720464-0-00	2	catenella	chain	chainette		
27	704009-4-00	2	vite	screw	vis		
28	990926-0-00	1	rondella	washer	rondelle		
29	733508-4-00	2	attacco	coupling	raccord		
30	900931-0-00	1	dado	nut	écrou		
31	900918-0-00	2	copertura	covering	couverture		
32	900927-0-00	1	anello elastico	spring ring	anneau ressort		
33	900928-0-00	1	molla	spring	ressort		
34	720505-4-00	2	perno	pin	pivot		
35	900929-0-01	1	vite	screw	vis		
36	900920-0-00	2	supporto	support	support		
37	720545-4-00	1	piastrina	plate	plaque		
38	733510-4-00	3	vite	screw	vis		
39	900925-4-01	1	dado	nut	écrou		
40	990689-2-00	1	pedalina completa	pedal assembly	pédale complète		
41	721434-2-00	2	convogliatore	conveyor	conveyeur		
42	990674-0-00	1	vite	screw	vis		
43	704409-2-00	2	canale scarico ritagli	offlet	canal décharge-chutes		
44	721475-2-00	2	rondella	washer	rondelle		
45	733008-2-00	4	vite	screw	vis		
			dado	nut	écrou		

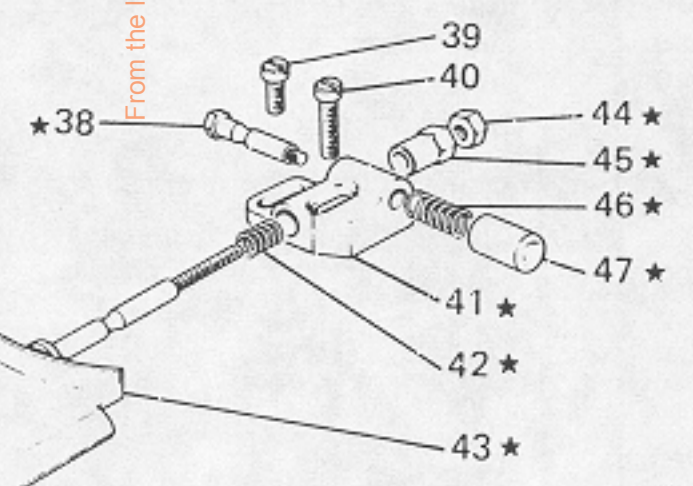
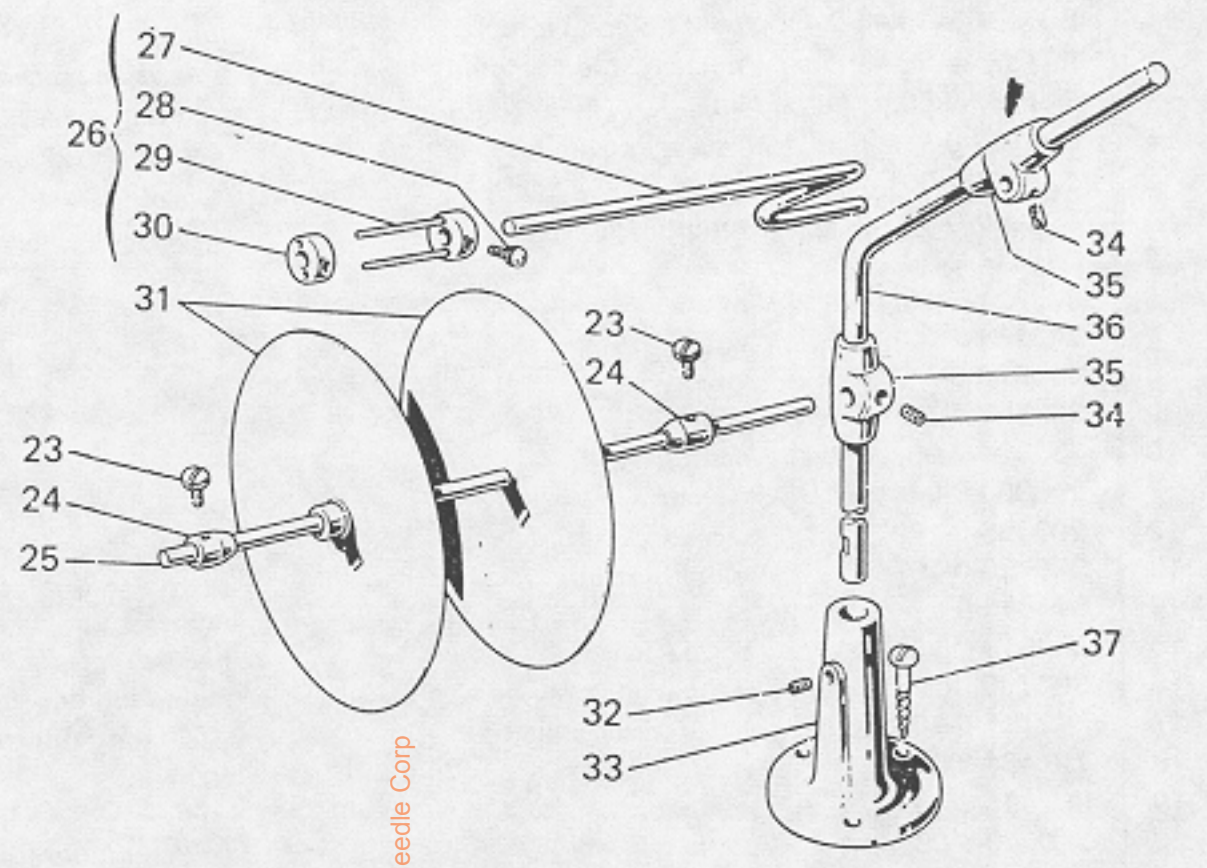
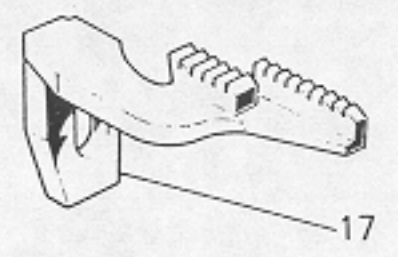
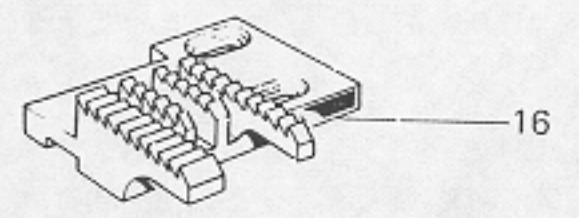
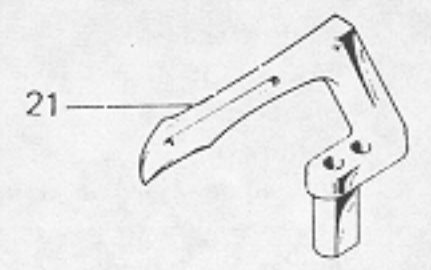
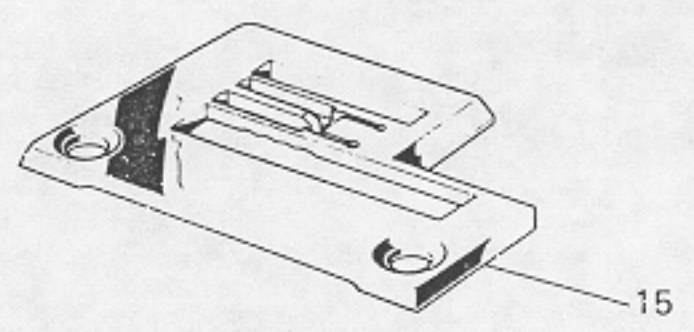
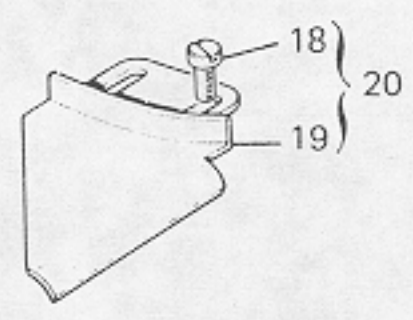
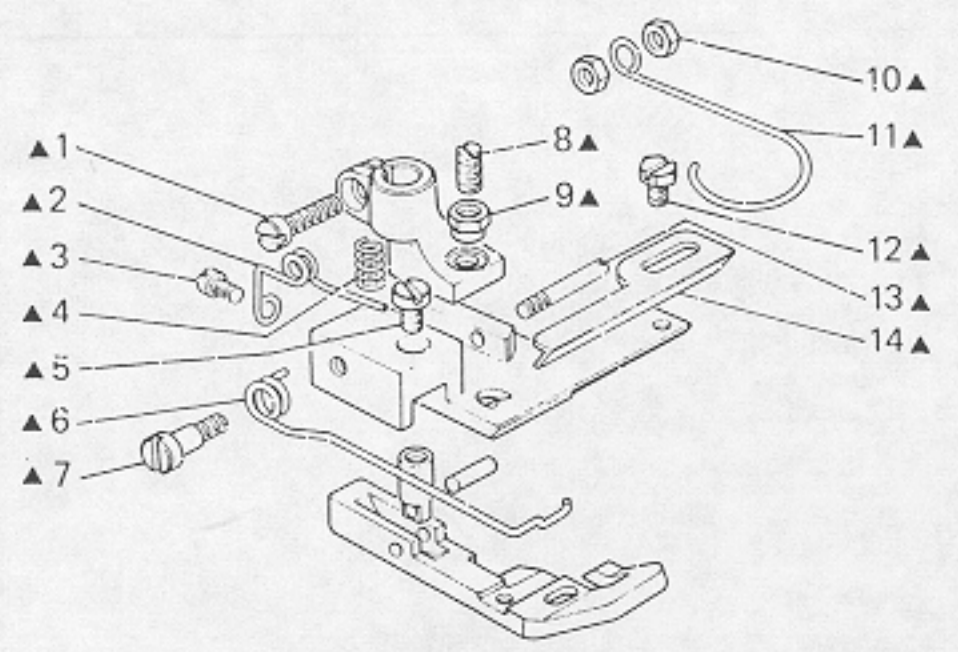
From the library of: Diamond Needle Corp



From the library of: Diamond Needle Corp

Fig. N. Abb. N.	Part. N. Piece N. Bestell N. Pieza N.	Qt. Anzahl	DESCRIZIONE	DESCRIPTION	DESCRIPTION	BENENNUNG	DESCRIPCION
★	991120-5-00	1	porta bobine compl.(4-3 fili)	bobbin carrier ass.(3-4 threads)	porte bobine compl. (4-3 fils)		
1	703005-0-00	3	rondella	washer	rondelle		
2	991108-2-00	2	tubetto con bussole	frame with bushes	bâti avec bagues		
3	722431-2-00	3	vite	screw	vis		
4	991107-2-00	1	squadretta con viti e rondelle	bracket with screws and washers	équerre avec vis et rondelles		
5	991106-2-00	1	asta con rondelle e viti	rod with washers and screws	tige avec rondelles et vis		
6	729054-2-00	3	vite	screw	vis		
7	731107-2-00	3	vite	screw	vis		
8	991114-2-00	1	basetta	base	base		
9	729034-2-00	3	vite	screw	vis		
10	991121-3-00	1	telaio superiore	upper frame	bâti supérieur		
11	991113-0-00	1	asta principale	main rod	tige principale		
12	991128-2-00	1	blocchetto con viti	block with screws	bloc avec vis		
13	991129-3-00	1	mozzo con aste e viti	hub with rod and screws	moyeu avec tiges et vis		
14	991179-0-00	4	disco	disc	disque		
15	991112-0-00	4	piatto	disc	plateau		
16	991111-2-00	4	astina con dadi	rod with nuts	tige avec écrous		
17	733508-2-00	4	dado	nut	écrou		
18	925433-0-00	4	dado	nut	écrou		

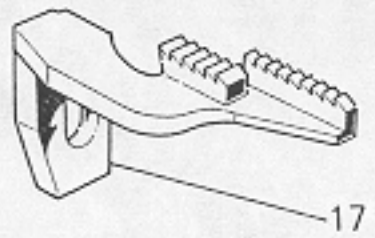
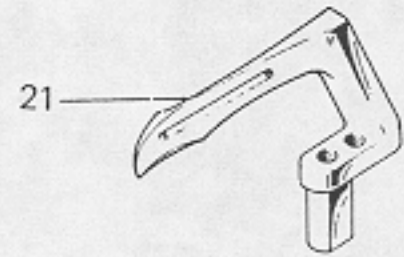
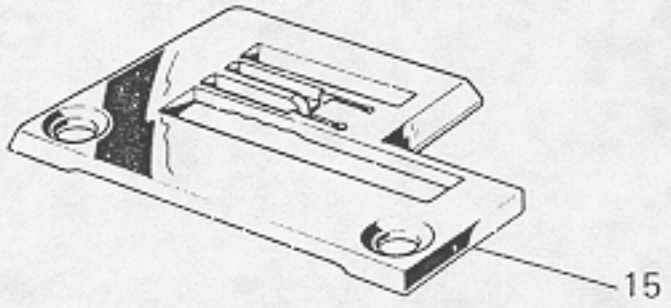
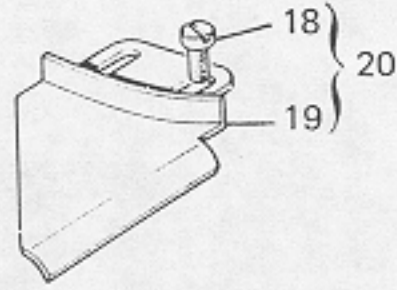
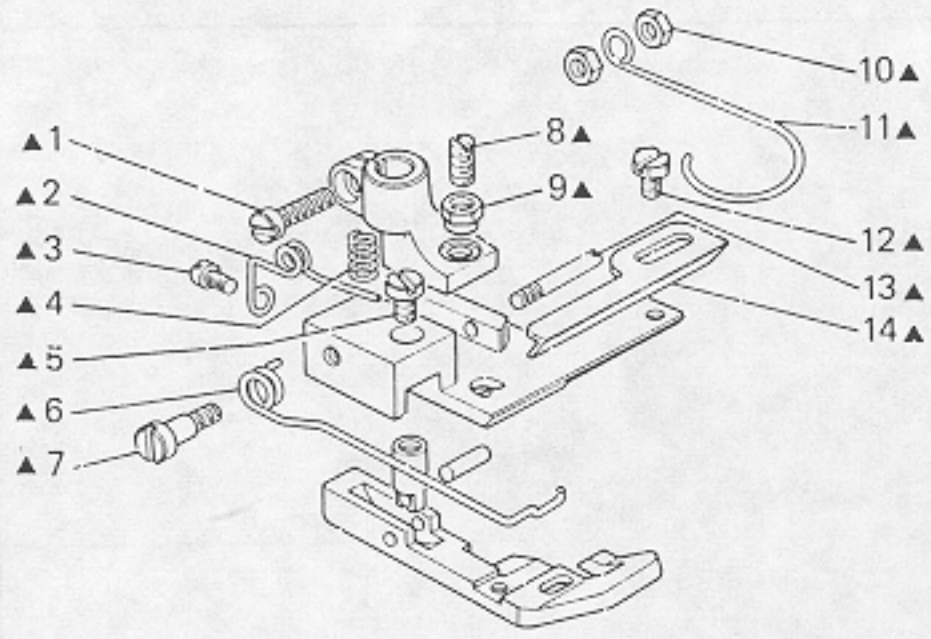
From the library of: Diamond Needle Corp



From the library of: Diamond Needle Corp

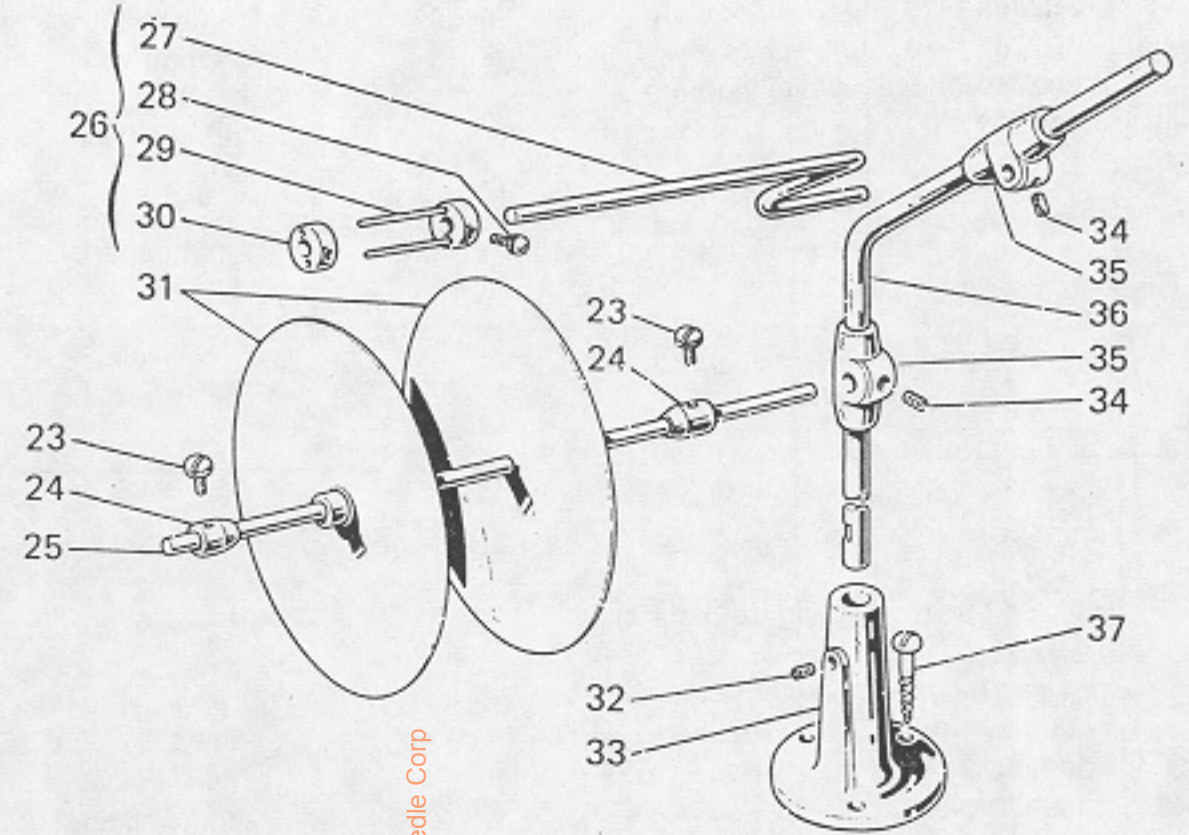
Fig. N. Abb. N.	Part. N. Bestell N. Piece N. Pieza N.	Qt. Anzahl	DESCRIZIONE	DESCRIPTION	DESCRIPTION	BENENNUNG	DESCRIPCION
▲	306681-3-00	1	piedino completo	presserfoot assembly	pied-presseur complet		
●	991325-4-00	1	porta rotolo completo	roll carrier assembly	porte-rouleau complet		
1	741781-2-00	1	vite	screw	vis		
2	300119-0-11	1	molla	spring	ressort		
3	721411-2-00	1	vite	screw	vis		
4	303052-0-00	1	molla	spring	ressort		
5	741414-2-00	1	vite	screw	vis		
6	302821-0-10	1	molla	spring	ressort		
7	743134-2-00	1	vite	screw	vis		
8	301596-0-11	1	vite	screw	vis		
9	301598-0-11	1	dado	nut	écrou		
10	733504-2-00	2	dado	nut	écrou		
11	990808-0-01	1	salvadita	protection	protection		
12	203658-0-10	1	vite	screw	vis		
13	300120-0-10	1	spina filettata	pin	goupille		
14	304411-0-11	1	guida	guide	guide		
15	302810-0-10	1	placca ago	needle plate	plaque aiguille		
16	302795-0-10	1	griffa principale	main feed dog	griffe principale		
17	302797-0-10	1	griffa differenziale	gdifferential feed dog	griffe différentielle		
18	721434-2-00	2	vite	screw	vis		
19	302851-2-10	1	guida	guide	guide		
20	310040-4-00	1	guida con viti	guide with screws	guide avec vis		
21	302057-0-11	1	crochet inferiore	lower looper	crochet inférieur		
22	784300-0-20	1	targhetta classe testa	head class plate	plaque classe tête		
23	990596-0-10	2	pomolo	knob	pommeau		
24	990594-2-00	2	anello di registro con pomolo	adjustment ring with knob	anneau de réglage avec pommeau		
25	990593-0-11	1	spina	pin	goupille		
26	990705-4-11	1	passa nastro	strap guide	guide pour bande		
27	990704-0-11	1	spina	pin	goupille		
28	990708-0-10	1	morsetto	clamp	bride		
29	990707-2-10	1	morsetto con spine	clamp with pins	bride avec goupille		
30	930096-0-10	2	pomolo	knob	pommeau		
31	990612-2-10	2	disco	disc	disque		
32	729054-2-00	1	vite	screw	vis		
33	991114-2-00	1	basetta con vite	base with screw	base avec vis		
34	729024-2-00	4	vite	screw	vis		
35	991153-2-00	2	supporto con viti	support with screws	support avec vis		
36	990703-0-11	1	asta	rod	tige		
37	731107-2-00	3	vite da legno	screw	vis		
			SOLO A RICHIESTA	ONLY ON REQUEST	SEULEMENT SUR DEMANDE		
★	302765-4-10	1	guida regolabile	control guide	guide réglable		
38	302762-0-10	1	perno	pin	pivot		
39	721474-2-00	1	vite	screw	vis		
40	721494-2-00	1	vite	screw	vis		
41	302768-0-10	1	blocchetto	block	bloc		
42	302766-0-10	1	molia	spring	ressort		
43	302764-2-10	1	guida	guide	guide		
44	746021-2-00	1	dado	nut	écrou		

From the library of: Diamond Needle Corp



S.p.A. V. Rinaldi & C. Milano
Made in Italy

22



From the library of: Diamond Needle Corp

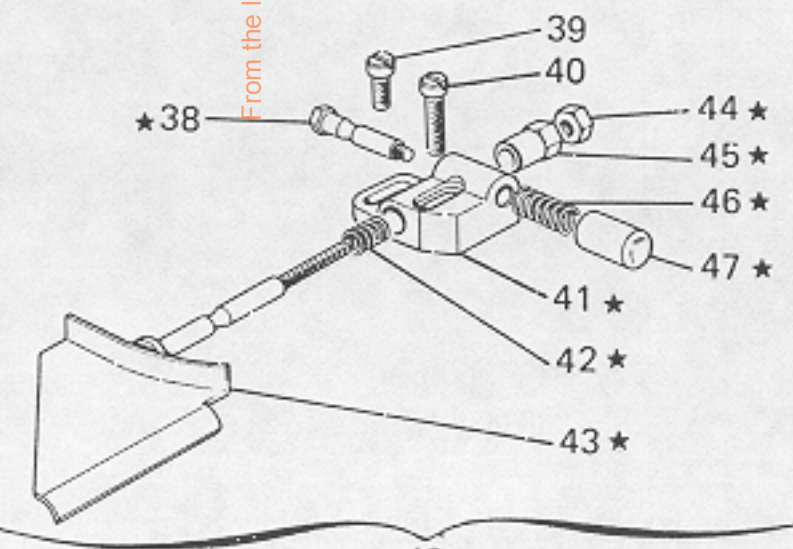
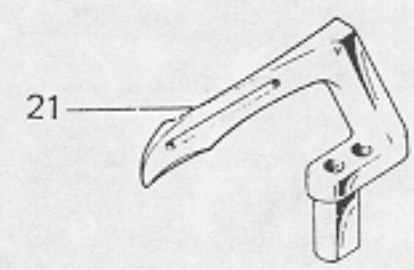
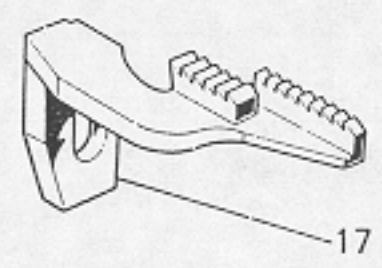
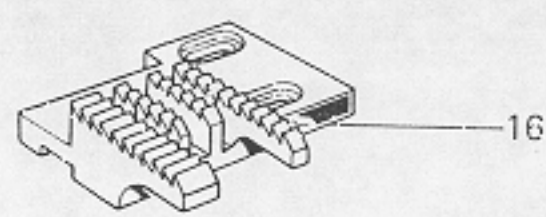
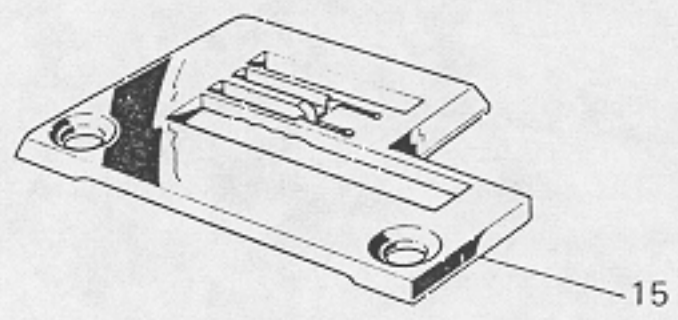
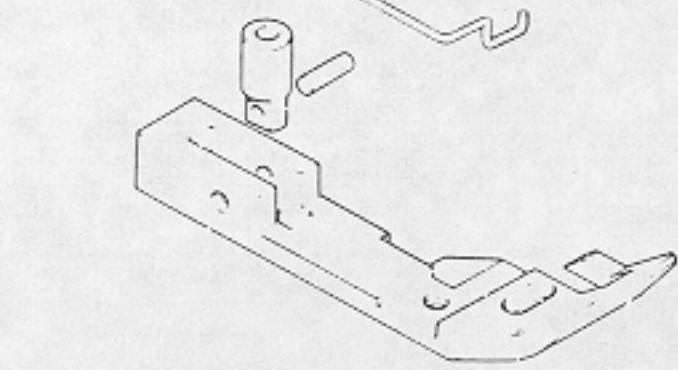
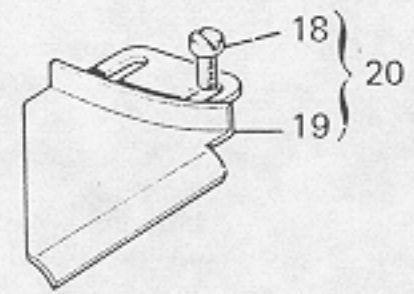
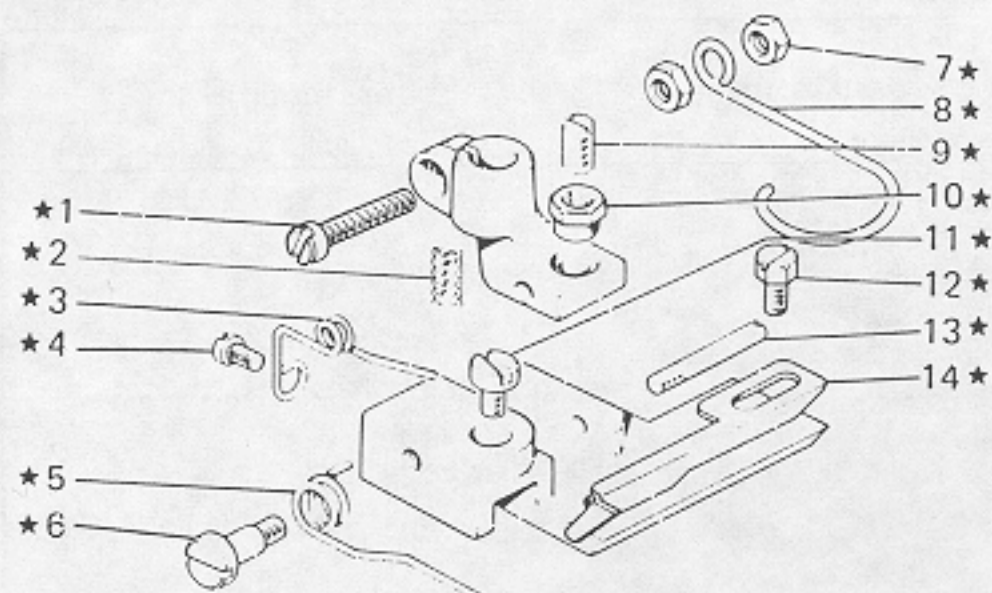
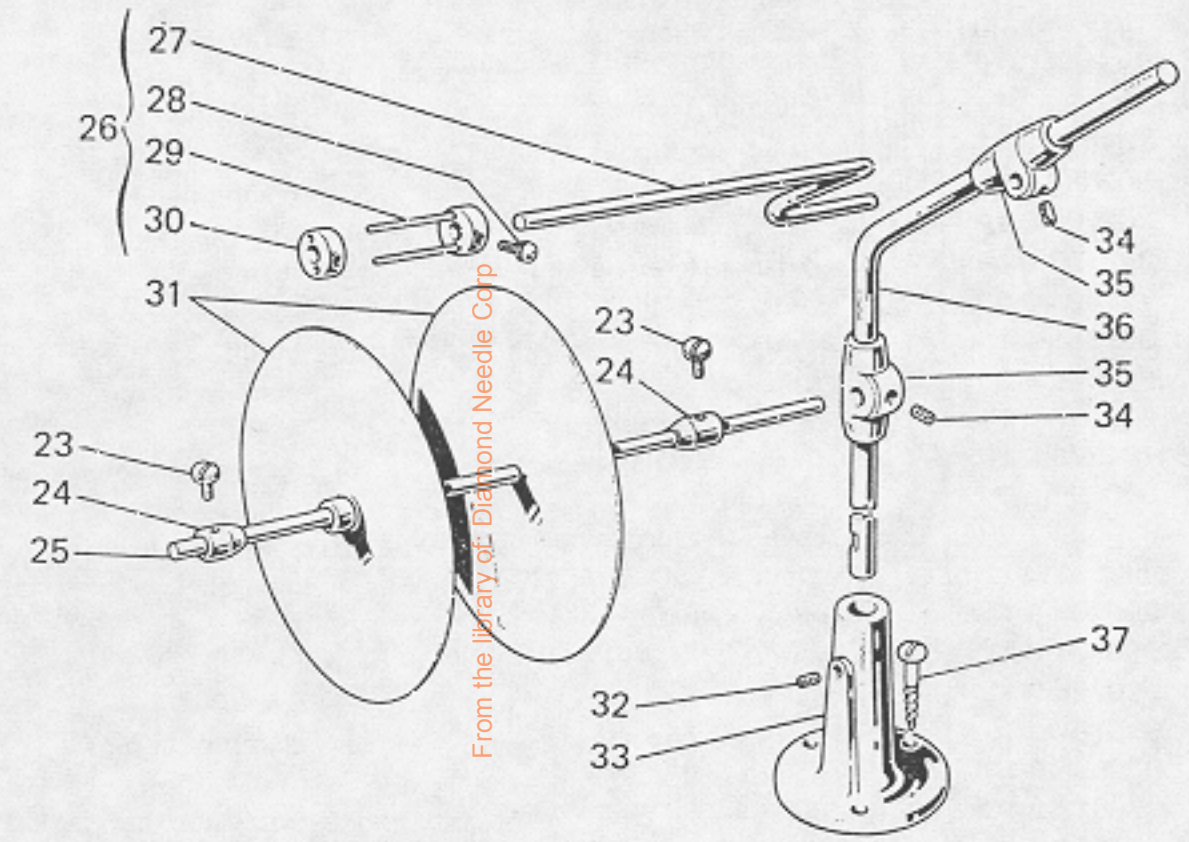


Fig. N. Abb. N.	Part. N. Bestell N. Piece N. Pieza N.	Qt. Anzahl	DESCRIZIONE	DESCRIPTION	DESCRIPTION	BENENNUNG	DESCRIPCION
45	302769-0-10	1	pomolo	knob	pommeau		
46	302767-0-10	1	molla	spring	ressort		
47	302770-0-10	1	pomolo	knob	pommeau		
48	310043-4-00	1	guida regolabile completa	control guide assembly	guide réglable complet		
45	<u>Tav. 4</u> 302842-0-10	1	squadretta	bracket	équerre		
▲	<u>Tav. 10</u> 309806-4-00	1	morsetto porta aghi compl.	needles clamp assembly	porte-aiguilles complet		
26	309756-2-00	1	morsetto porta aghi	needles clamp	porte-aiguilles		
42	309770-0-00	1	passafilo	thread guide	passé-fil		

From the library of: Diamond Needle Corp



S.p.A. V. Roncolle • C. Milano
Made in Italy



From the library of Diamond Needle Corp

Fig. N. Abb. N.	Part. N. Bestell N. Piece N. Pieza N.	Qt. Anzahl	DESCRIZIONE	DESCRIPTION	DESCRIPTION	BENENNUNG	DESCRIPCION
★	306678-3-00	1	pedino completo	presserfoot assembly	pied-presseur complet		
●	991325-4-00	1	porta rotolo	roll carrier	porte-rouleau		
1	741781-2-00	1	vite	screw	vis		
2	303052-0-00	1	molla	spring	ressort		
3	300119-0-11	1	molla	spring	ressort		
4	721411-2-00	1	vite	screw	vis		
5	302821-0-10	1	molla	spring	ressort		
6	743134-2-00	1	vite	screw	vis		
7	733504-2-00	2	dado	nut	écrou		
8	990808-0-01	1	salvadita	protection	protection		
9	301596-0-11	1	vite	screw	vis		
10	301598-0-11	1	dado	nut	écrou		
11	741414-2-00	1	vite	screw	vis		
12	203658-0-10	1	vite	screw	vis		
13	300120-0-10	1	spina filettata	pin	goupille		
14	304411-0-11	1	guida	guide	guide		
15	302880-0-10	1	placca ago	needle plate	plaque aiguille		
16	302795-0-10	1	griffa principale	main feed dog	griffe principale		
17	302797-0-10	1	griffa differenziale	differential feed dog	griffe différentielle		
18	721434-2-00	2	vite	screw	vis		
19	302851-2-10	1	guida	guide	guide		
20	310040-4-00	1	guida con viti	guide with screws	guide avec vis		
21	302057-0-11	1	crochet inferiore	lower looper	crochet inférieur		
22	784300-0-20	1	targhetta classe testa	head class plate	plaque classe tête		
23	990596-0-10	2	pomolo	knob	pommeau		
24	990594-2-00	2	anello di registro con pomolo	adjustment ring with knob	anneau de réglage avec pommeau		
25	990593-0-11	1	spina	pin	goupille		
26	990705-4-11	1	passa nastro	strap guide	guide pour bande		
27	990704-0-11	1	spina	pin	goupille		
28	990708-0-10	1	morsetto	clamp	bride		
29	990707-2-10	1	morsetto con spine	clamp with pins	bride avec goupilles		
30	930096-0-10	2	pomolo	knob	pommeau		
31	990612-2-10	2	disco	disc	disque		
32	729054-2-00	1	vite	screw	vis		
33	991114-2-00	1	basetta con vite	base with screw	base avec vis		
34	729024-2-00	4	vite	screw	vis		
35	991153-2-00	2	supporto con viti	supporto with screws	support avec vis		
36	990703-0-11	1	asta	rod	tige		
37	731107-2-00	3	vite da legno	screw	vis		

From the library of: Diamond Needle Corp

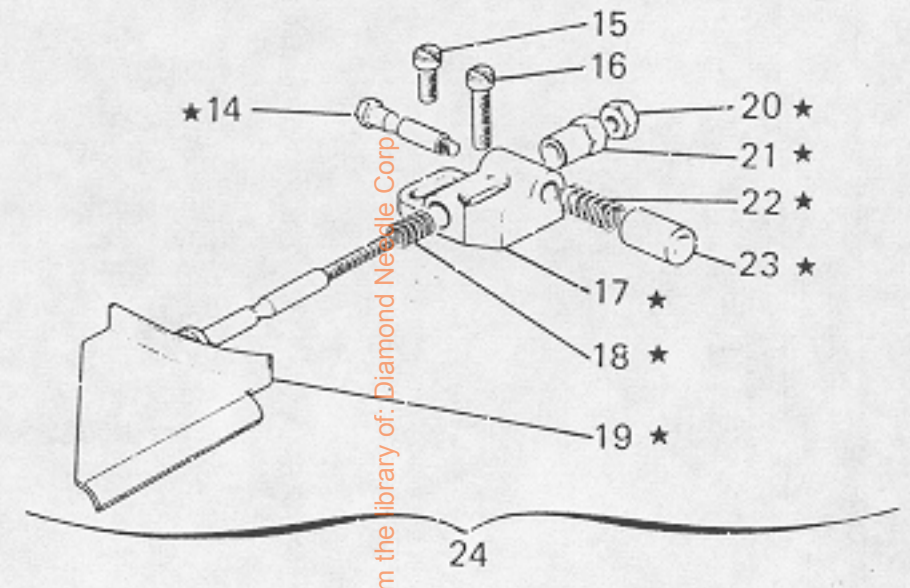
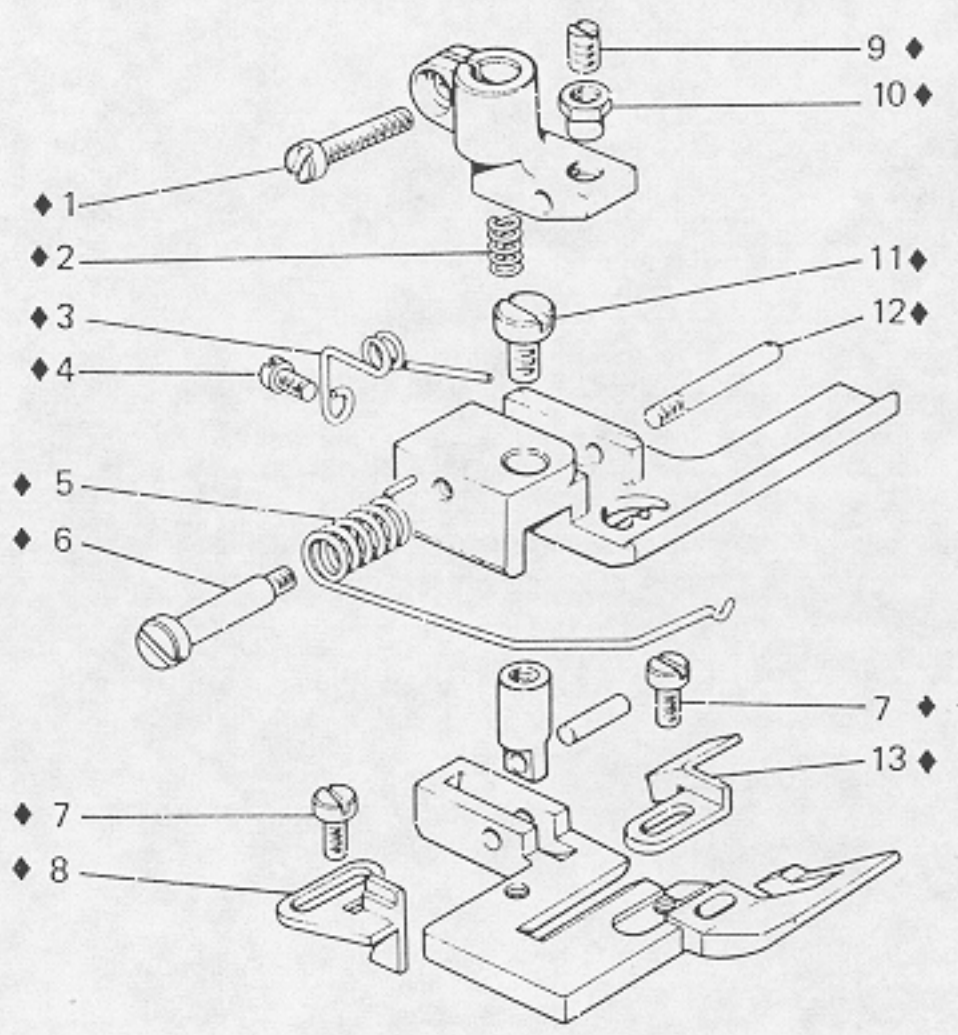
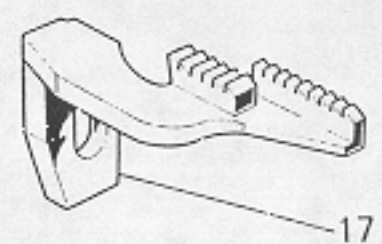
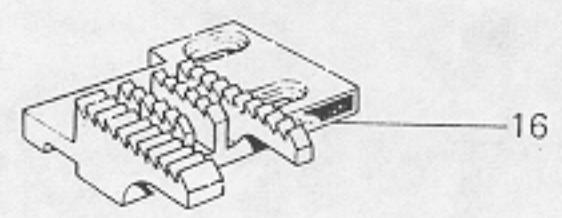
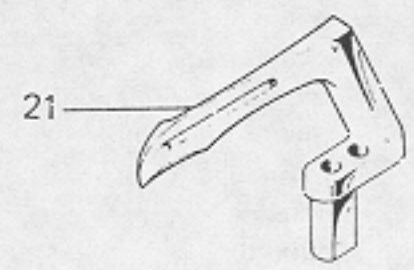
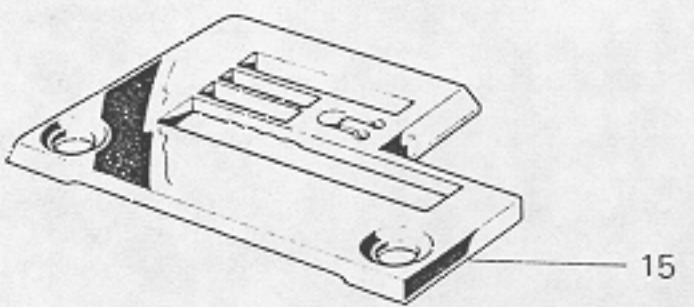
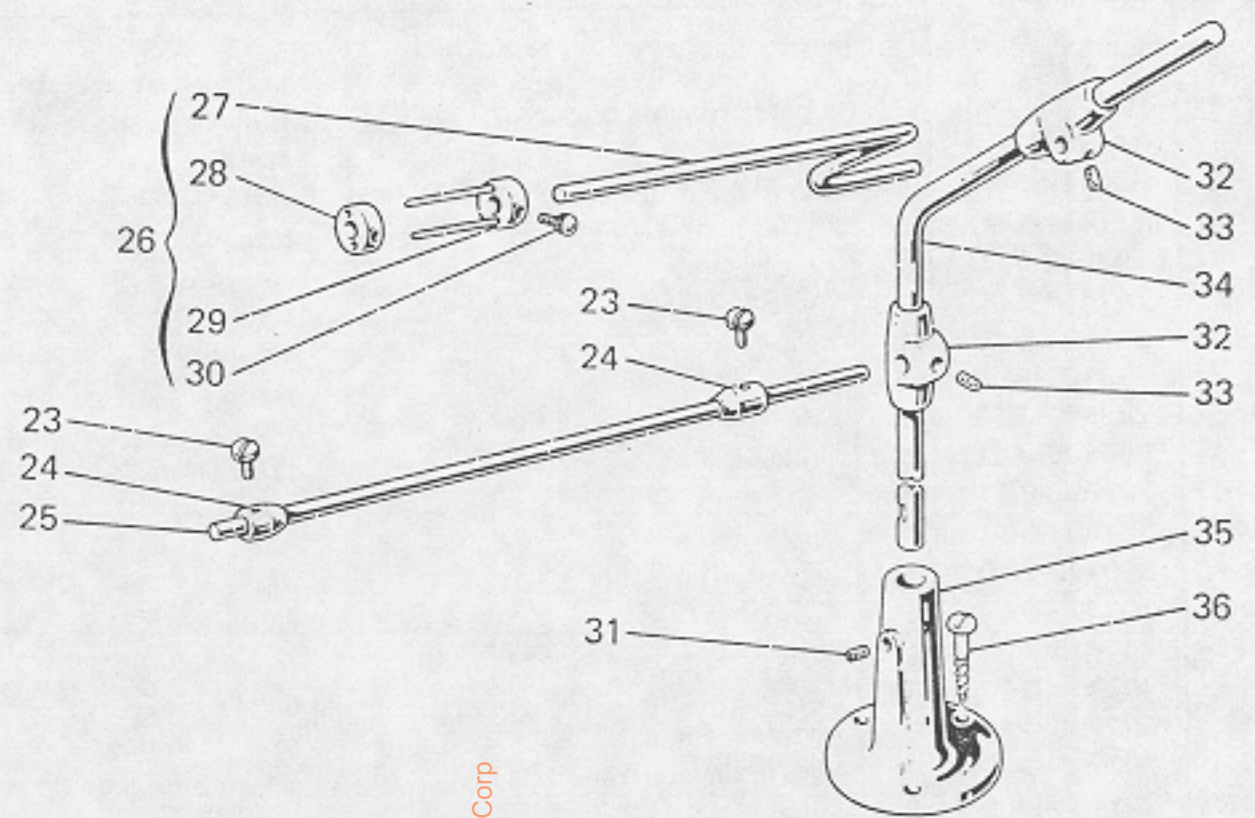
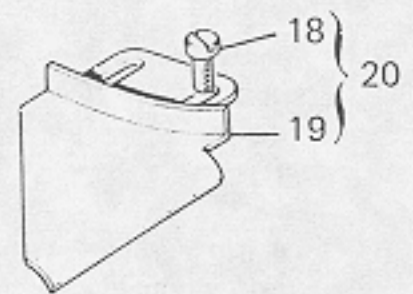
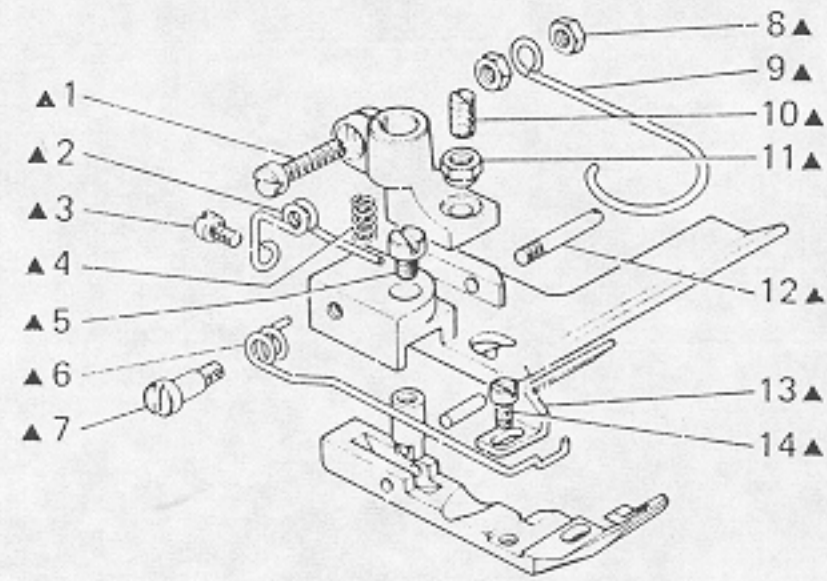


Fig. N. Abb. N.	Part. N. Piece N. Bestell N. Pieza N.	Qt. Anzahl	DESCRIZIONE	DESCRIPTION	DESCRIPTION	BENENNUNG	DESCRIPCION
★	308103-4-10	1	coperchio superiore compl.	upper cover assembly	couvercle supérieur compl.		
1	309059-4-00	1	piano di lavoro compl.	working plate assembly	plan de travail complet		
2	309042-2-00	1	piano di lavoro	working plate	plan de travail		
3	309351-0-00	1	molla	spring	ressort		
4	704306-0-00	1	rondella	washer	rondelle		
5	720411-2-00	1	vite	screw	vis		
6	309088-0-00	1	guarnizione	gasket	garniture		
7	309086-0-01	1	carter posteriore	rear cover	carter arrière		
8	309084-0-00	1	guarnizione	gasket	garniture		
9	309302-2-00	1	coperchio scorrevole	sliding cover	couvercle coulissant		
10	744636-2-00	5	vite	screw	vis		
11	302354-0-10	2	vite superiore	upper screw	vis supérieure		
12	308101-2-00	1	coperchio laterale	slide cover	couvercle latéral		
13	741088-2-00	3	vite per carter posteriore	screw for rear cover	vis pour carter arrière		
14	302353-0-10	2	vite inferiore	lower screw	vis inférieur		
15	309139-4-00	1	carter laterale completo	side cover assembly	carter latéral complet		
16	309126-3-00	1	carter laterale	side cover	carter latéral		
17	309372-0-00	1	perno	pin	pivot		
18	309371-0-00	1	chiavistello	key	clé		
19	741658-2-00	1	vite	screw	vis		
20	308783-2-00	1	piastra porta placca	plate	plaque		
21	300483-0-10	8	vite per cerniera	screw for hinge	vis pour charnière		
22	302355-0-10	2	vite per piastra	screw for plate	vis pour plaque		
23	742282-2-00	6	vite per coperchio	screw for cover	vis pour couvercle		
24	300006-0-11	2	decalcomania	decalcomania	décalcomanie		
25	308128-0-00	1	guarnizione coperchio	cover gasket	garniture couvercle		
26	744730-0-00	2	vite per placca ago	screw for needle plate	vis pour plaque aiguille		
27	741925-2-00	2	vite	screw	vis		
28	309155-0-00	1	semicarter anteriore sinistro	front left cover	carter avant gauche		
29	788020-0-01	1	decalcomania sistema aghi	needles decalcomania	décalcomanie system aiguilles		
30	721474-2-00	1	vite	screw	vis		
31	309360-0-00	1	molla chiusura carter	spring	ressort		
32	309324-2-10	1	piastra superiore	upper plate	plaque supérieure		
33	741936-2-00	9	vite per piastra	screw for plate	vis pour plaque		
34	309323-0-00	1	guarnizione	gasket	garniture		
35	202239-0-10	1	cupolina	cup	coupole		
36	705970-0-00	1	guarnizione per cupolina	gasket	garniture		
37	308102-0-00	1	coperchio superiore	upper cover	couvercle supérieur		
38	308129-0-00	1	guarnizione per coperchio	gasket for cover	garniture pour couvercle		
39	744656-2-00	2	vite	screw	vis		
40	309229-0-00	1	piastra piano di lavoro	working plate	plaque plan de travail		
41	202165-0-10	2	vite per targhetta	screw for plate	vis pour plaquette		
42	309205-3-00	1	carter anteriore	front cover assembly	carter avant complet		
40	309249-0-00	1	SOLO A RICHIESTA piastra piano di lavoro	ONLY ON REQUEST plate	SEULEMENT SUR DEMANDE plaque plan de travail		

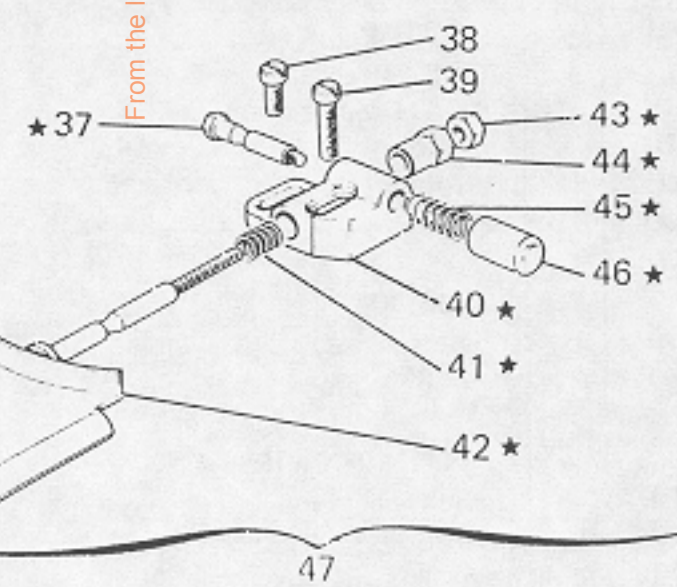
From the library of: Diamond Needle Corp

Fig. N. Abb. N.	Part. N. Bestell N. Piece N. Pieza N.	Qt. Anzahl	DESCRIZIONE	DESCRIPTION	DESCRIPTION	BENENNUNG	DESCRIPCION
◆	302882-3-02	1	SOLO A RICHIESTA piedino completo	ONLY ON REQUEST presserfoot assembly	SEULEMENT SUR DEMANDE pied-presseur complet		
★	302765-4-10	1	guida regolabile	control guide	guide réglable		
1	741721-2-00	1	vite	screw	vis		
2	303052-0-00	1	molla	spring	ressort		
3	300119-0-11	1	molla	spring	ressort		
4	721411-2-00	1	vite	screw	vis		
5	302872-0-10	1	molla	spring	ressort		
6	302870-0-10	1	vite	screw	vis		
7	741413-2-00	2	vite	screw	vis		
8	302883-0-00	1	guida pizzo	guide	guide		
9	301596-0-11	1	vite	screw	vis		
10	301598-0-11	1	dado	nut	écrou		
11	741414-2-00	1	vite	screw	vis		
12	300120-0-10	1	spina filettata	pin	goupille		
13	302877-0-00	1	guida elastico	guide	guide		
14	302762-0-10	1	perno	pin	pivot		
15	721474-2-00	1	vite	screw	vis		
16	721494-2-00	1	vite	screw	vis		
17	302768-0-10	1	blocchetto	block	bloc		
18	302766-0-10	1	molla	spring	ressort		
19	302764-2-10	1	guida	guide	guide		
20	746021-2-00	1	dado	nut	écrou		
21	302769-0-10	1	pomolo	knob	pommeau		
22	302767-0-10	1	molla	spring	ressort		
23	302770-0-10	1	pomolo	knob	pommeau		
24	310043-4-00	1	guida regolabile completa	control guide assembly	guide réglable complet		
45	<u>Tav. 4</u> 302842-0-10	1	squadretta	bracket	équerre		
▲	<u>Tav. 10</u> 309807-4-00	1	morsetto porta aghi completo	needles clamp assembly	porte-aiguilles complet		
26	309757-2-00	1	morsetto porta aghi	needles clamp	porte-aiguilles		
28	766000-6-90	2	ago sist. Rim 63 fin. 90	needle syst. Rim 63 size 90	aiguille syst. Rim 63 jauge 90		
42	309770-0-00	1	passafilo	thread guide	passe-fil		

From the library of: Diamond Needle Corp



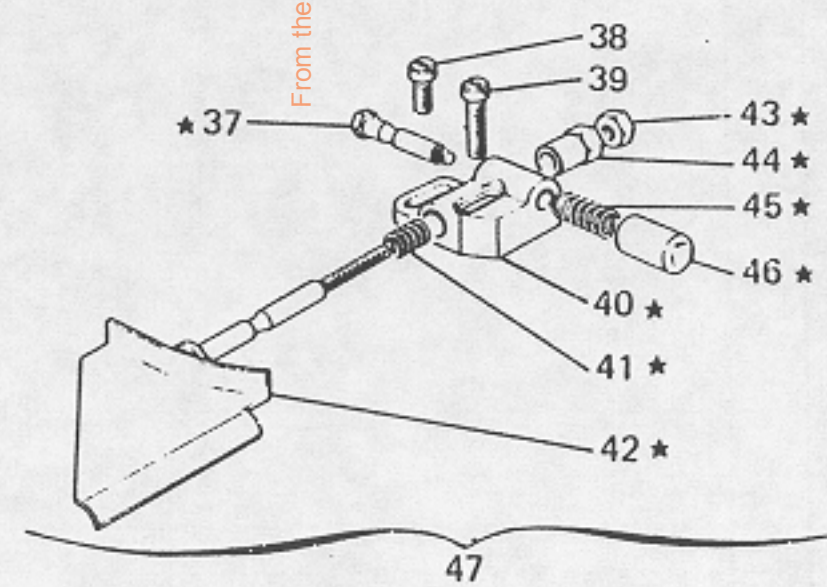
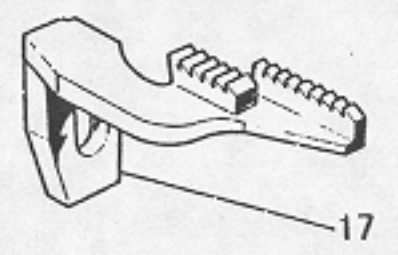
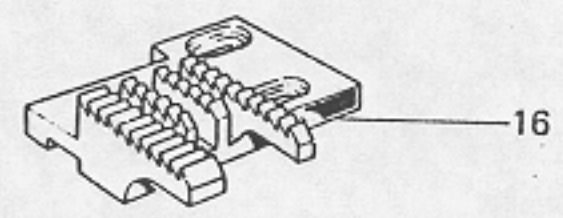
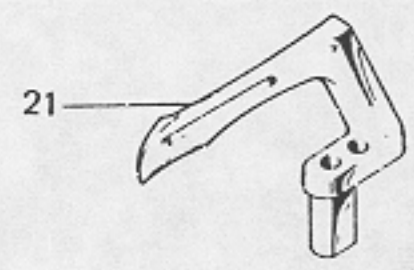
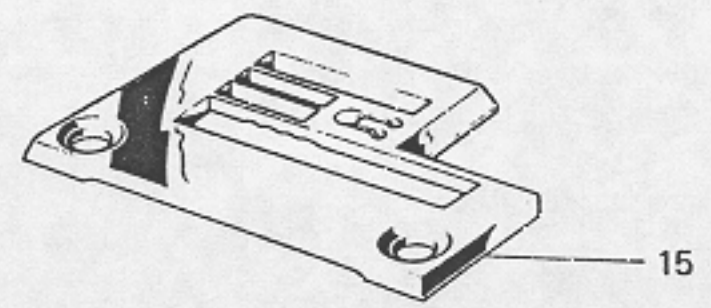
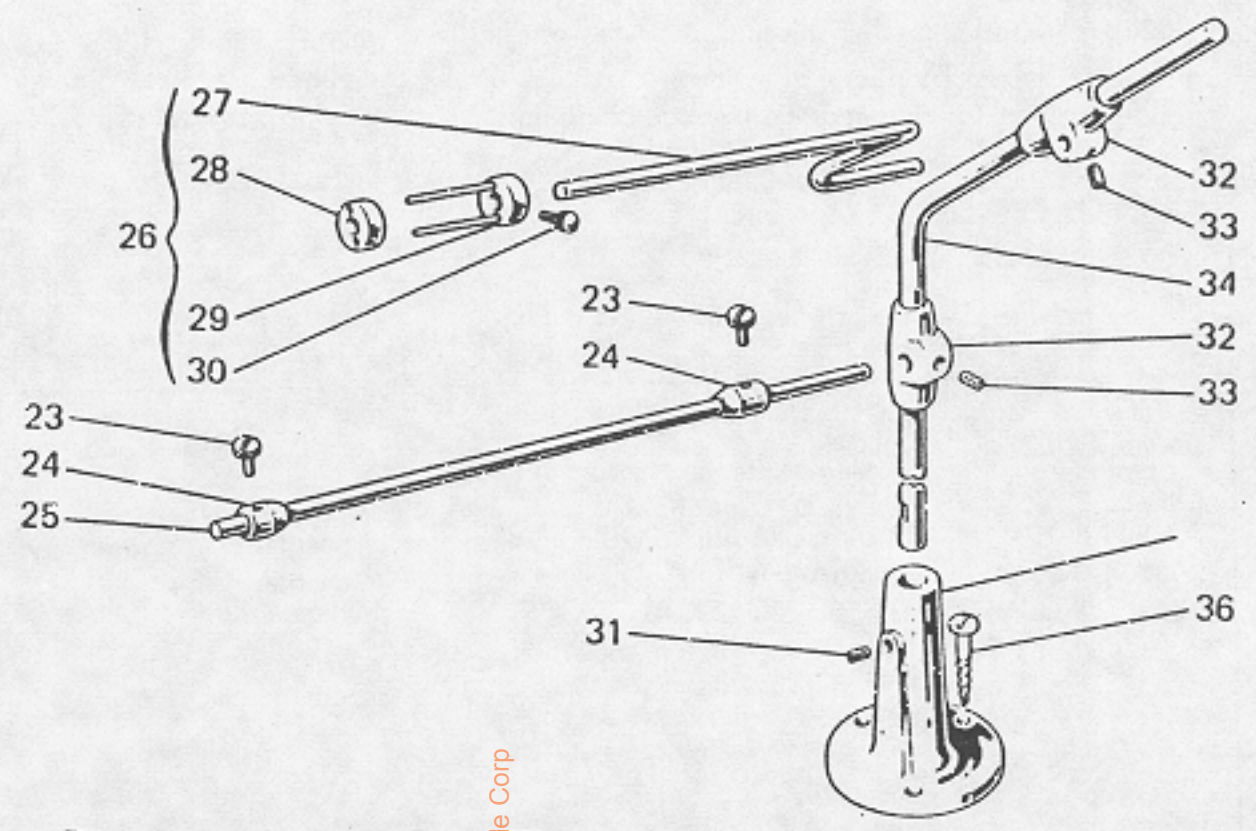
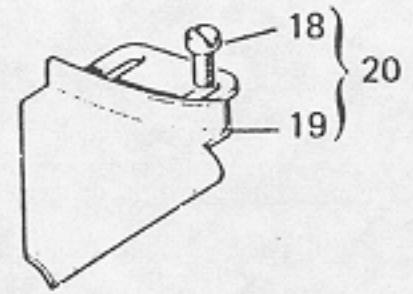
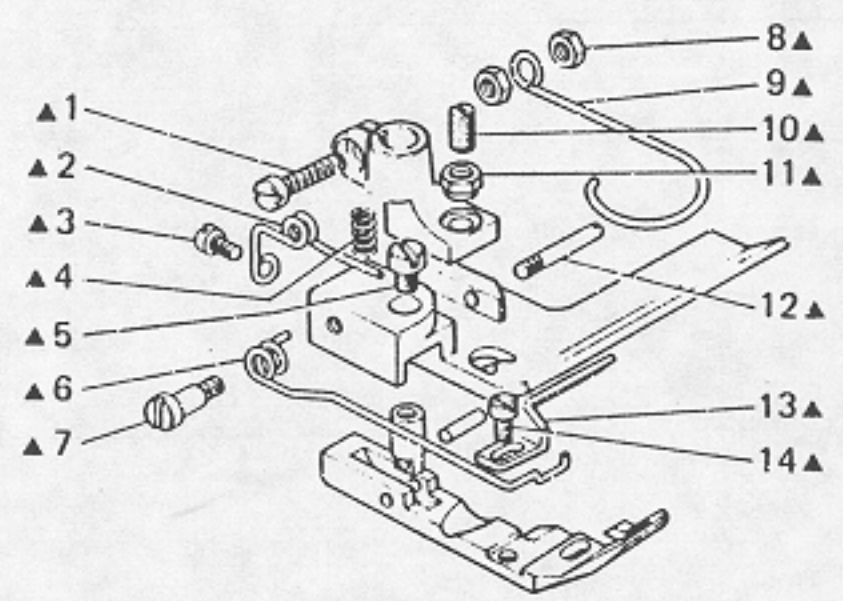
22



From the library of: Diamond Needs Corp

Fig. N. Abb. N.	Part. N. Bestell N. Pieze N.	Qt. Anzahl	DESCRIZIONE	DESCRIPTION	DESCRIPTION	BENENNUNG	DESCRIPCION
▲	306679-3-00	1	piedino completo	presserfoot assembly			
●	990709-4-12	1	porta rotolo completo	roll carrier assembly			
1	741781-2-00	1	vite	screw			
2	300119-0-11	1	molla	spring			
3	721411-2-00	1	vite	screw			
4	303052-0-00	1	molla	spring			
5	741414-2-00	1	vite	screw			
6	302821-0-10	1	molla	spring			
7	743134-2-00	1	vite	screw			
8	733504-2-00	2	dado	nut			
9	990808-0-01	1	salvadita	protection			
10	301596-0-11	1	vite	screw			
11	301598-0-11	1	dado	nut			
12	300120-0-10	1	spina	pin			
13	302773-0-11	1	guida	guide			
14	741413-2-00	1	vite	screw			
15	302754-0-10	1	placca ago	needle plate			
16	302796-0-10	1	griffa principale	main feed dog			
17	302798-0-10	1	griffa differenziale	differential feed dog			
18	721434-2-00	2	vite	screw			
19	302851-2-10	1	guida	guide			
20	310040-4-00	1	guida con viti	guide with screws			
21	302057-0-11	1	crochet inferiore	lower looper			
22	784300-0-20	1	targhetta classe testa	head class plate			
23	990596-0-10	2	pomolo	knob			
24	990594-2-00	2	anello di registro con pomolo	adjustment ring with knob			
25	990593-0-11	1	spina	pin			
26	990705-4-11	1	passa nastro	strap guide			
27	990704-0-11	1	spina	pin			
28	990708-0-10	1	morsetto	clamp			
29	990707-2-10	1	morsetto con spine	clamp with pins			
30	930096-0-10	2	pomolo	knob			
31	729054-2-00	1	vite	screw			
32	991153-2-00	1	supporto con viti	support with screws			
33	729024-2-00	4	vite	screw			
34	990703-0-11	1	asta	rod			
35	991114-2-00	1	basetta con vite	base with screw			
36	731107-2-00	3	vite da legno	screw			
			SOLO A RICHIESTA	ONLY ON REQUEST			
★	302765-4-10	1	guida regolabile	control guide			
37	302762-0-10	1	perno	pin			
38	721474-2-00	1	vite	screw			
39	721494-2-00	1	vite	screw			
40	302768-0-10	1	blocchetto	block			
41	302766-0-10	1	molla	spring			
42	302764-2-10	1	guida	guide			
43	746021-2-00	1	dado	nut			
44	302769-0-10	1	pomolo	knob			

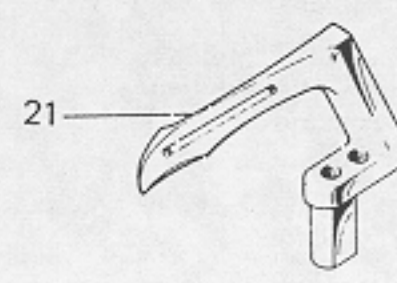
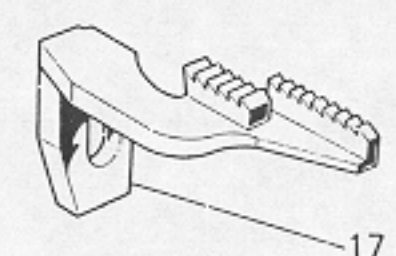
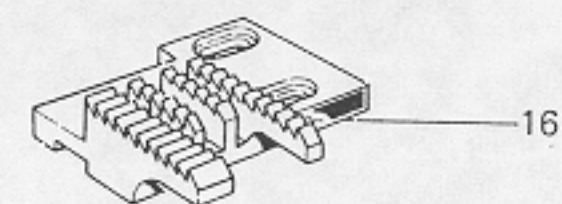
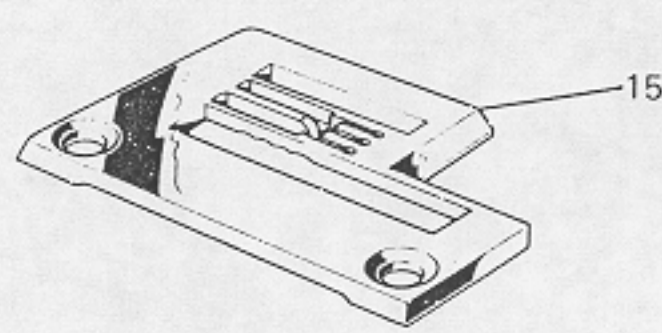
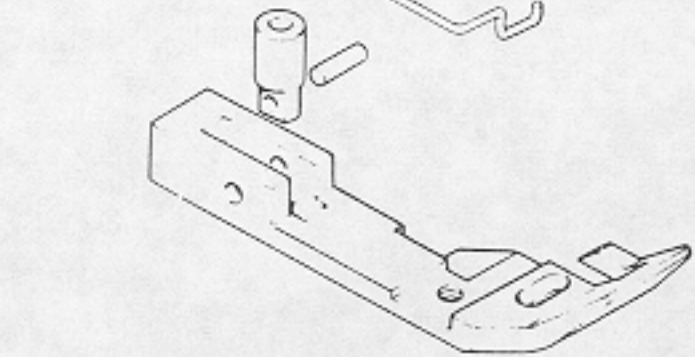
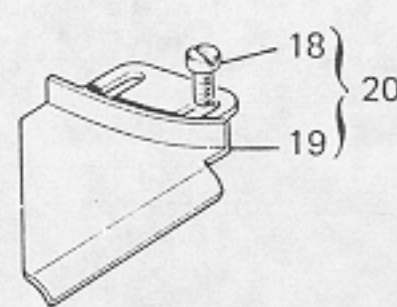
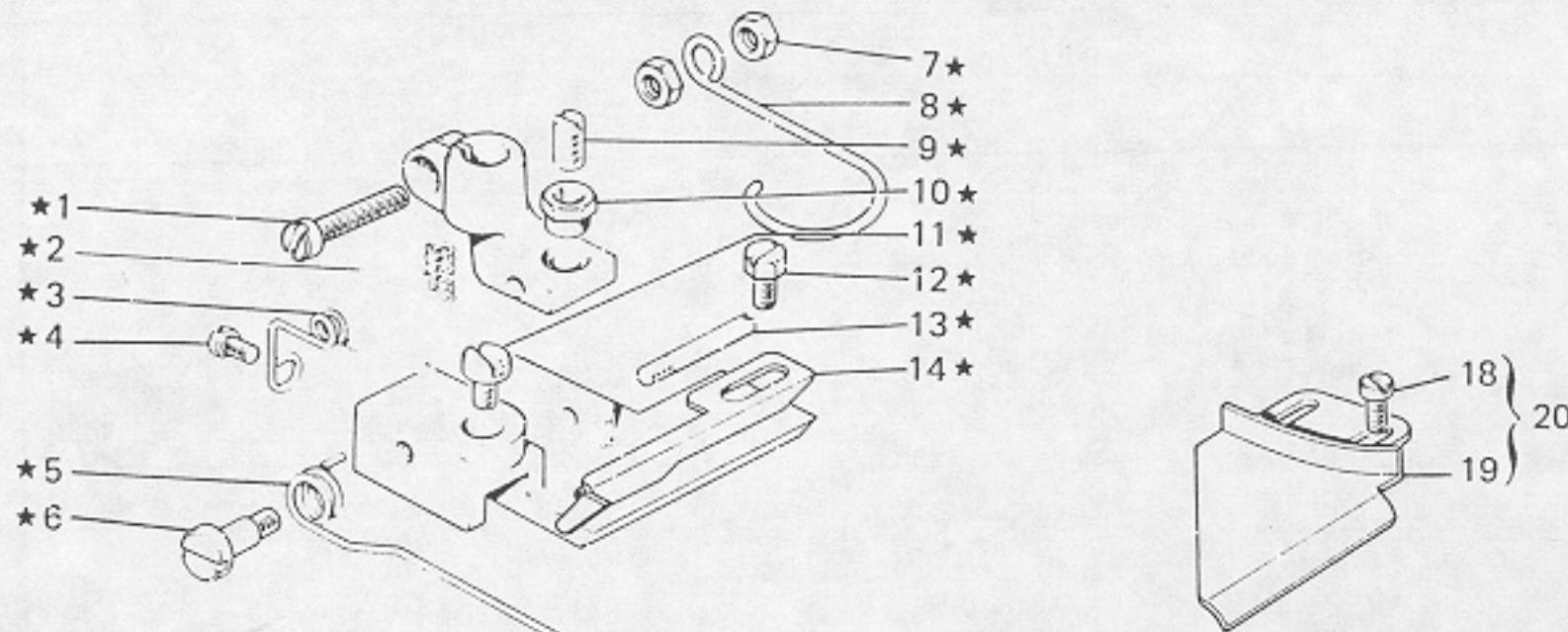
From the library of: Diamond Needle Corp



From the library of: Diamond Needle Corp

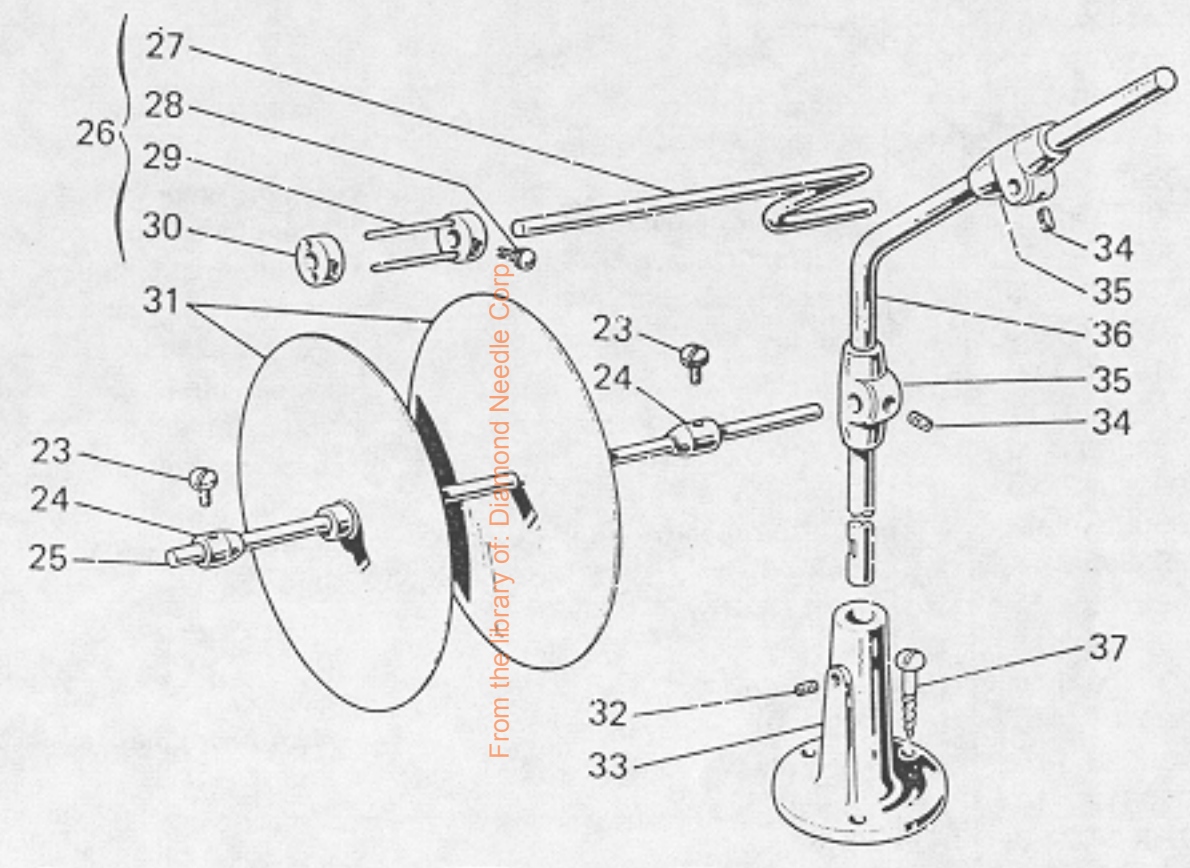
Fig. N. Abb. N.	Part. N. Piece N. Bestell N. Pieza N.	Qt. Anzahi	DESCRIZIONE	DESCRIPTION	DESCRIPTION	BENENNUNG	DESCRIPCION
45	302757-0-10	1	molla	spring	ressort		
46	302770-0-10	1	pomolo	knob	pommeau		
47	310043-4-00	1	guida regolabile completa	control guide assembly	guide réglable complet		
▲ 26	<u>Tav. 10</u> 309804-4-00 309754-0-00	1 1	morsetto porta aghi compl. morsetto porta aghi	needles clamp assembly needles clamp	porte-aiguilles complet porte-aiguilles		

From the library of: Diamond Needle Corp



SpA V. Remolde e C Milano
 Made in Italy

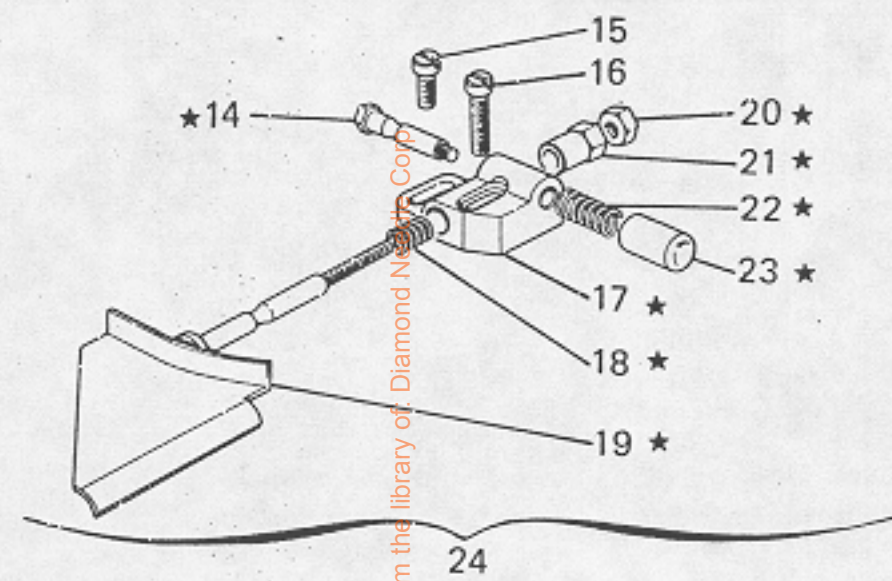
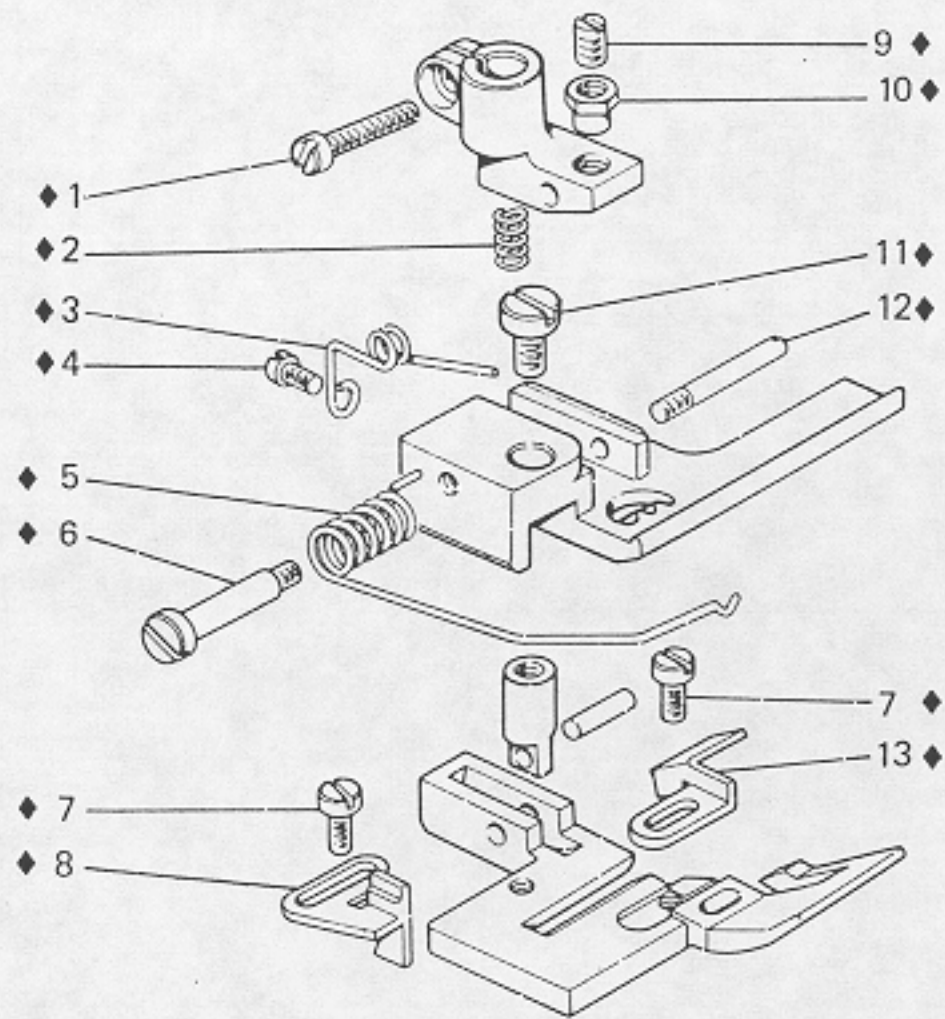
22



From the library of: Diamond Needle Corp.

Fig. N. Abb. N.	Part. N. Bestell N. Piece N. Pieza N.	Qt. Anzahl	DESCRIZIONE	DESCRIPTION	DESCRIPTION	BENENNUNG	DESCRIPCION
★	306678-3-00	1	pedino completo	presserfoot assembly	ped-presseur complet		
●	991325-4-00	1	porta rotolo	roll carrier	porte-rouleau		
1	741781-2-00	1	vite	screw	vis		
2	303052-0-00	1	molla	spring	ressort		
3	300119-0-11	1	molla	spring	ressort		
4	721411-2-00	1	vite	screw	vis		
5	302821-0-10	1	molla	spring	ressort		
6	743134-2-00	1	vite	screw	vis		
7	733504-2-00	2	dado	nut	écrou		
8	990808-0-01	1	salvadita	protection	protection		
9	301596-0-11	1	vite	screw	vis		
10	301598-0-11	1	dado	nut	écrou		
11	741414-2-00	1	vite	screw	vis		
12	203658-0-10	1	vite	screw	vis		
13	300120-0-10	1	spina filettata	pin	pivot		
14	304411-0-11	1	guida	guide	guide		
15	302735-0-10	1	placca ago	needle plate	plaque aiguille		
16	302795-0-10	1	griffa principale	main feed dog	griffe principale		
17	302797-0-10	1	griffa differenziale	differential feed dog	griffe différentielle		
18	721434-2-00	2	vite	screw	vis		
19	302851-2-10	1	guida	guide	guide		
20	310040-4-00	1	guida con viti	guide with screws	guide avec vis		
21	302057-0-11	1	crochet inferiore	lower looper	crochet inférieur		
22	784300-0-20	1	targhetta classe testa	head class plate	plaque classe tête		
23	990596-0-10	2	pomolo	knob	pommeau		
24	990594-2-00	2	anello di registro con pomolo	adjustment ring with knob	anneau de réglage avec pommeau		
25	990593-0-11	1	spina	pin	goupille		
26	990705-4-11	1	passa nastro	strap guide	guide pour bande		
27	990704-0-11	1	spina	pin	goupille		
28	990708-0-10	1	morsetto	clamp	bride		
29	990707-2-10	1	morsetto con spine	clamp with pins	bride avec pivots		
30	930096-0-10	2	pomolo	knob	pommeau		
31	990612-2-10	2	disco	disc	disque		
32	729054-2-00	1	vite	screw	vis		
33	991114-2-00	1	basetta con vite	base with screw	base avec vis		
34	729024-2-00	4	vite	screw	vis		
35	991153-2-00	2	supporto con viti	support with screws	support avec vis		
36	990703-0-11	1	asta	rod	tige		
37	731107-2-00	3	vite da legno	screw	vis		
15	302738-0-00	1	SOLO A RICHIESTA placca ago	ONLY ON REQUEST needle plate	SEULEMENT SUR DEMANDE plaque aiguille		

From the library of: Diamond Needle Corp



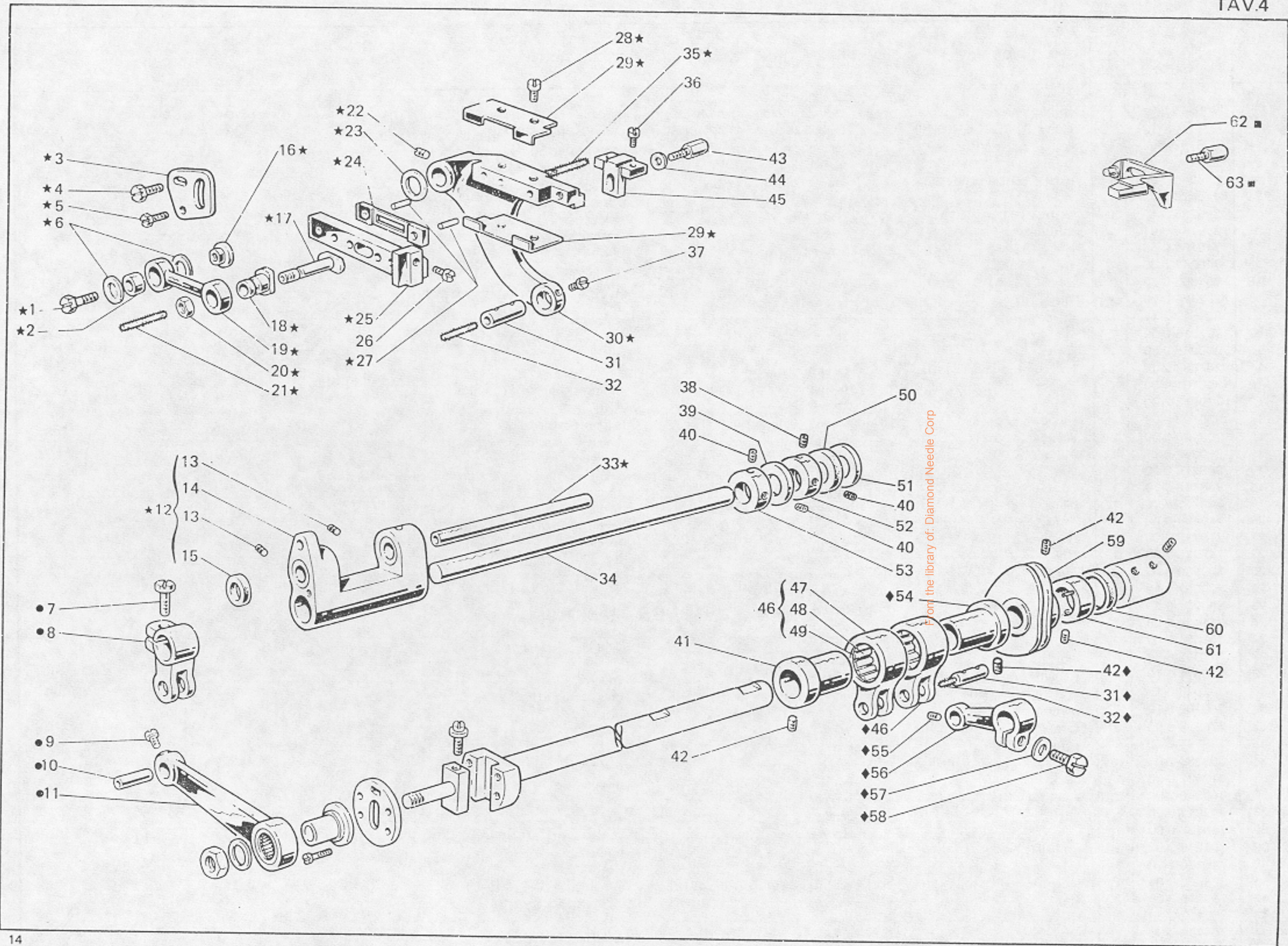
From the library of Diamond North Corp.

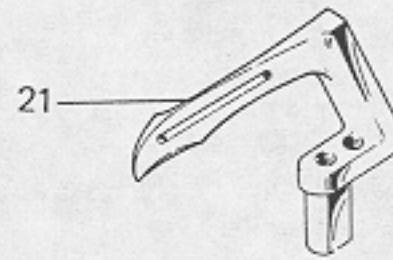
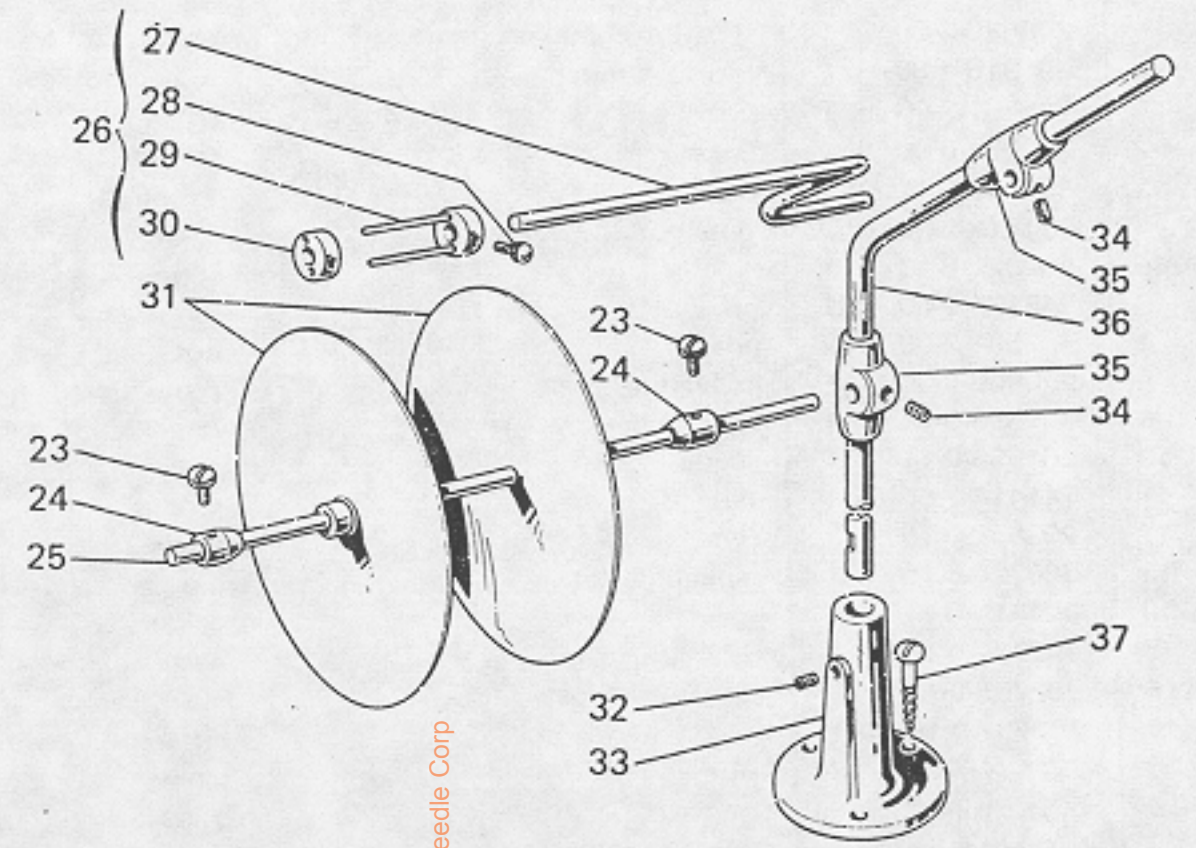
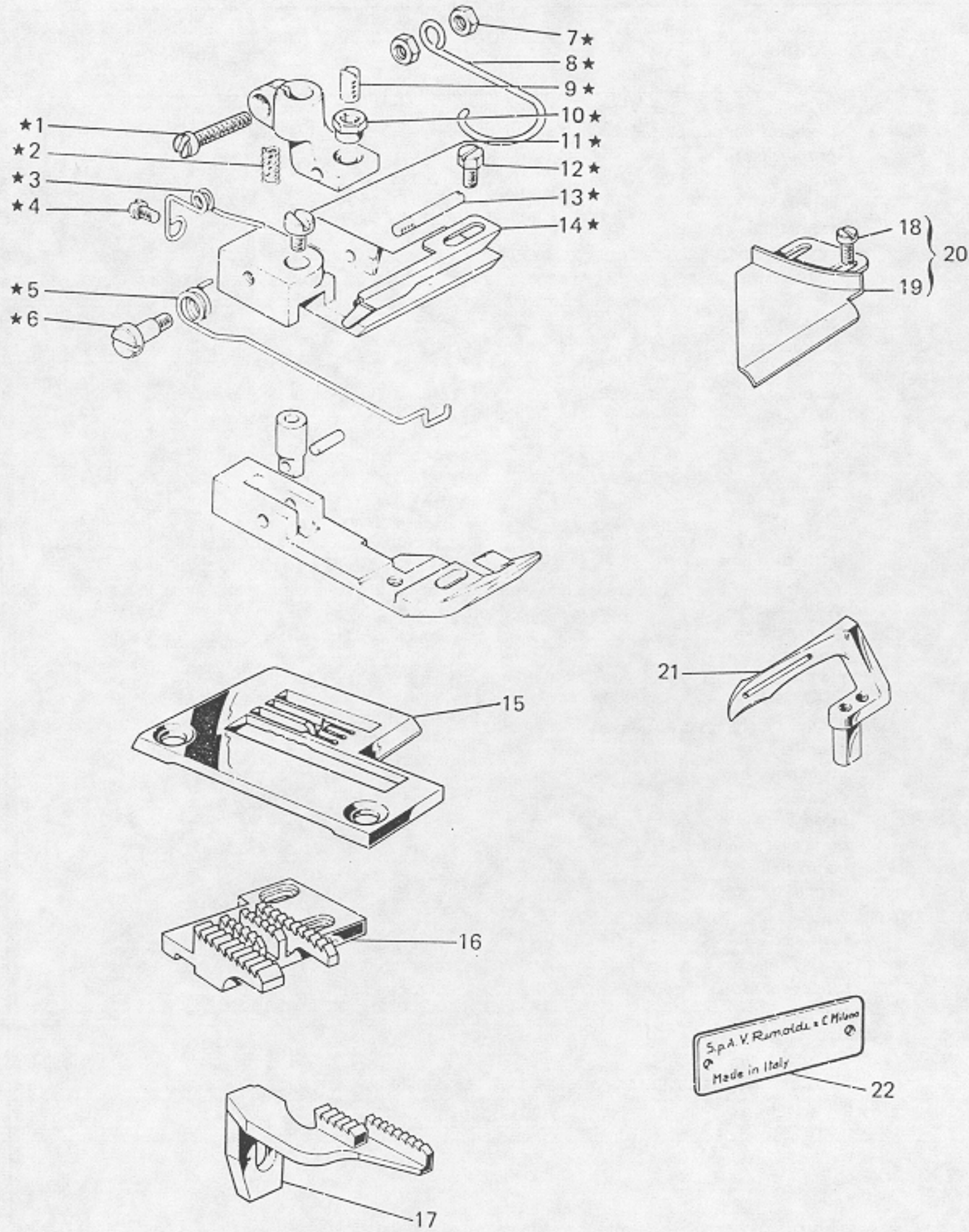
Fig. N. Abb. N.	Part. N. Bestell N. Piece N. Pieza N.	Qt. Anzahl	DESCRIZIONE	DESCRIPTION	DESCRIPTION	BENENNUNG	DESCRIPCION
◆	302882-3-02	1	SOLO A RICHIESTA piedino completo	ONLY ON REQUEST presserfoot assembly	SEULEMENT SUR DEMANDE pied-presseur complet		
★	302765-4-10	1	guida regolabile	control guide	guide réglable		
1	741721-2-00	1	vite	screw	vis		
2	303052-0-00	1	molla	spring	ressort		
3	300119-0-11	1	molla	spring	ressort		
4	721411-2-00	1	vite	screw	vis		
5	302872-0-10	1	molla	spring	ressort		
6	302870-0-10	1	vite	screw	vis		
7	741413-2-00	2	vite	screw	vis		
8	302883-0-00	1	guida pizzo	guide	guide		
9	301596-0-11	1	vite	screw	vis		
10	301598-0-11	1	dado	nut	écrou		
11	741414-2-00	1	vite	screw	vis		
12	300120-0-10	1	spina filettata	pin	pivot		
13	302877-0-00	1	guida elastico	guide	guide		
14	302762-0-10	1	perno	pin	pivot		
15	721474-2-00	1	vite	screw	vis		
16	721494-2-00	1	vite	screw	vis		
17	302768-0-10	1	blocchetto	block	bloc		
18	302766-0-10	1	molla	spring	ressort		
19	302764-2-10	1	guida	guide	guide		
20	746021-2-00	1	dado	nut	écrou		
21	302769-0-10	1	pomolo	knob	pommeau		
22	302767-0-10	1	molla	spring	ressort		
23	302770-0-10	1	pomoio	knob	pommeau		
24	310043-4-00	1	guida regolabile completa	control guide assembly	guide réglable complet		

From the library of: Diamond Needle Corp

Fig. N. Abb. N.	Part. N. Bestelli N. Pieze N. Pieza N.	Qt. Anzahl	DESCRIZIONE	DESCRIPTION	DESCRIPTION	BENENNUNG	DESCRIPCION
45	<u>Tav.4</u> 302842-0-10	1	squadretta	bracket	équerre		
■	309573-4-00	1	SOLO A RICHIESTA gruppo salva ago	ONLY ON REQUEST rear needle guard assembly	SEULEMENT SUR DEMANDE groupe protège-aiguille		
62	305171-0-00	1	salva ago	rear needle guard	protège-aiguille		
	<u>Tav. 10</u>						
▲	309800-4-00	1	morsetto porta aghi completo	needles clamp assembly	porte-aiguille complet		
26	309751-2-00	1	morsetto porta aghi	needles clamp	porte-aiguilles		
27	745810-2-00	3	vite	screw	vis		
28	766000-6-90	3	ago sist.Rim 63 fin.90	needle syst.Rim 63 size 90	aiguille syst.Rim 63 jauge 90		
42	309770-0-00	1	passafilo	thread guide	passe-fil		
	<u>Tav. 14</u>						
★	308531-4-00	1	gruppo tensioni	tensions assembly	groupe tensions		
20	308506-0-00	4	pernetto	pin	pivot		
21	308501-0-01	4	passafilo	thread guide	passe-fil		
22	308503-0-01	4	guidafilo	thread guide	guide-fil		
25	308505-0-00	4	perno a vite	pin	pivot		
26	300218-0-10	8	disco tensione	tension disc	disque tension		
27	308507-0-00	4	rondella	washer	rondelle		
28	202556-0-00	4	scodellino	cup	cuvette		
29	200710-0-10	3	molta	spring	ressort		
30	202229-0-10	4	bussola superiore	upper bush	bague supérieur		
31	202558-2-00	4	pomolo	knob	pommeau		
33	308518-4-00	3	tensione sup.con molia fig.29	upper tension with spring fig.29	tension sup.avec ressort fig.29		

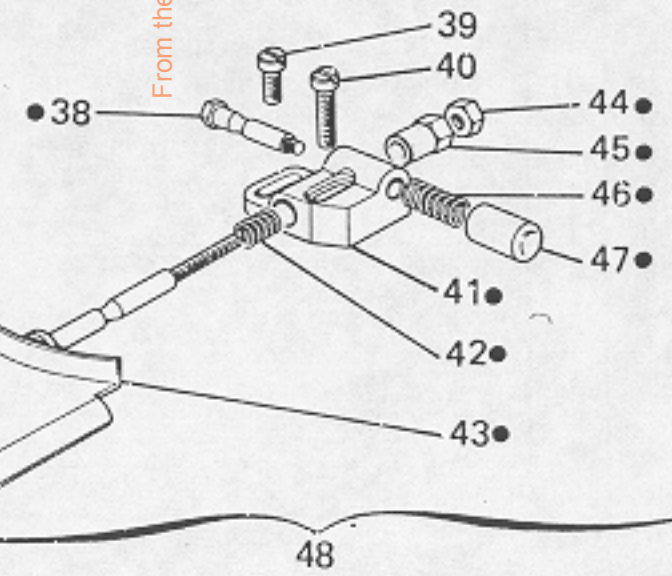
From the library of: Diamond Needle Corp





SpA V. Remoldi & C Milano
 Made in Italy

22



From the library of: Diamond Needle Corp

Fig. N. Abb. N.	Part. N. Piece N. Bestell N. Pieza N.	Qt. Anzahl	DESCRIZIONE	DESCRIPTION	DESCRIPTION	BENENNUNG	DESCRIPCION
★	306680-3-00	1	pieдино completo	presserfoot assembly	pieд-resseur complet		
▲	991325-4-00	1	porta rotolo	roll carrier	porte-rouleau		
1	741781-2-00	1	vite	screw	vis		
2	303052-0-00	1	molla	spring	ressort		
3	300119-0-11	1	molla	spring	ressort		
4	721411-2-00	1	vite	screw	vis		
5	302821-0-10	1	molla	spring	ressort		
6	743134-2-00	1	vite	screw	vis		
7	733504-2-00	2	dado	nut	écrou		
8	990808-0-01	1	salvadita	protection	protection		
9	301596-0-11	1	vite	screw	vis		
10	301598-0-11	1	dado	nut	écrou		
11	741414-2-00	1	vite	screw	vis		
12	203658-0-10	1	vite	screw	vis		
13	300120-0-10	1	spina filettata	pin	pivot		
14	304411-0-11	1	guida	guide	guide		
15	302774-0-10	1	placca ago	needle plate	plaque aiguille		
16	302795-0-10	1	griffa principale	main feed dog	griffe principale		
17	302797-0-10	1	griffa differenziale	differential feed dog	griffe différentielle		
18	721434-2-00	2	vite	screw	vis		
19	302851-2-10	1	guida	guide	guide		
20	310040-4-00	1	guida con viti	guide with screws	guide avec vis		
21	302057-0-11	1	crochet inferiore	lower looper	crochet inférieur		
22	784300-0-20	1	targhetta classe testa	head cladd plate	plaque classe tête		
23	990596-0-10	2	pomolo	knob	pommeau		
24	990594-2-00	2	anello di registro con pomolo	adjustment ring with knob	anneau de réglage avec pommeau		
25	990593-0-11	1	spina	pin	goupille		
26	990705-4-11	1	passa nastro	strap guide	guide pour bande		
27	990704-0-11	1	spina	pin	goupille		
28	990708-0-10	1	morsetto	clamp	bride		
29	990707-2-10	1	morsetto con spine	clamp with pins	bride avec goupilles		
30	930096-0-10	2	pomolo	knob	pommeau		
31	990612-2-10	2	disco	disc	disque		
32	729054-2-00	1	vite	screw	vis		
33	991114-2-00	1	basetta con vite	base with screw	base avec vis		
34	729024-2-00	4	vite	screw	vis		
35	991153-2-00	2	supporto con viti	support with screws	support avec vis		
36	990703-0-11	1	asta	rod	tige		
37	731107-2-00	3	vite da legno	screw	vis		
			SOLO A RICHIESTA	ONLY ON REQUEST	SEULEMENT SUR DEMANDE		
●	302765-4-10	1	guida regolabile	control guide	guide réglable		
38	302762-0-10	1	perno	pin	pivot		
39	721474-2-00	1	vite	screw	vis		
40	721494-2-00	1	vite	screw	vis		
41	302768-0-10	1	blocchetto	block	bloc		
42	302766-0-10	1	molla	spring	ressort		
43	302764-2-10	1	guida	guide	guide		
44	746021-2-00	1	dado	nut	écrou		

From the library of: Diamond Needle Corp

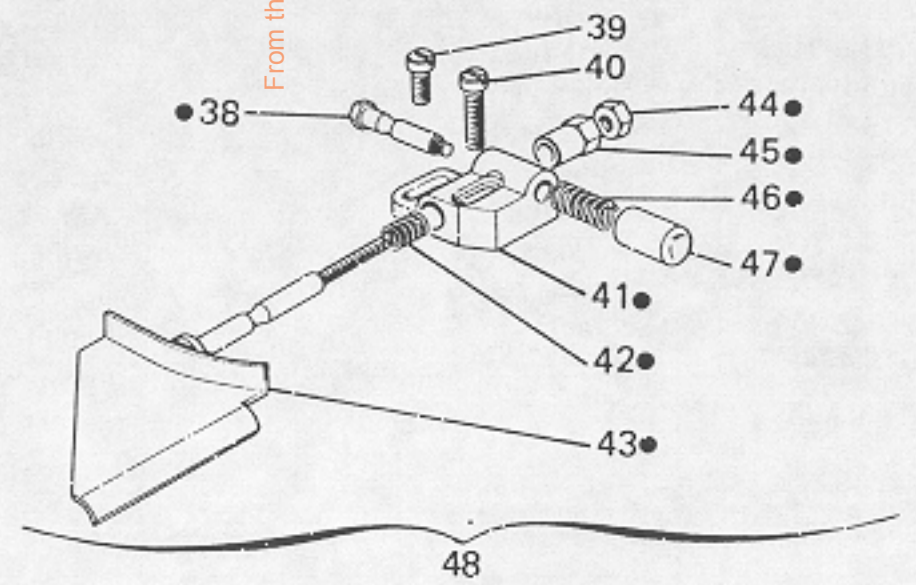
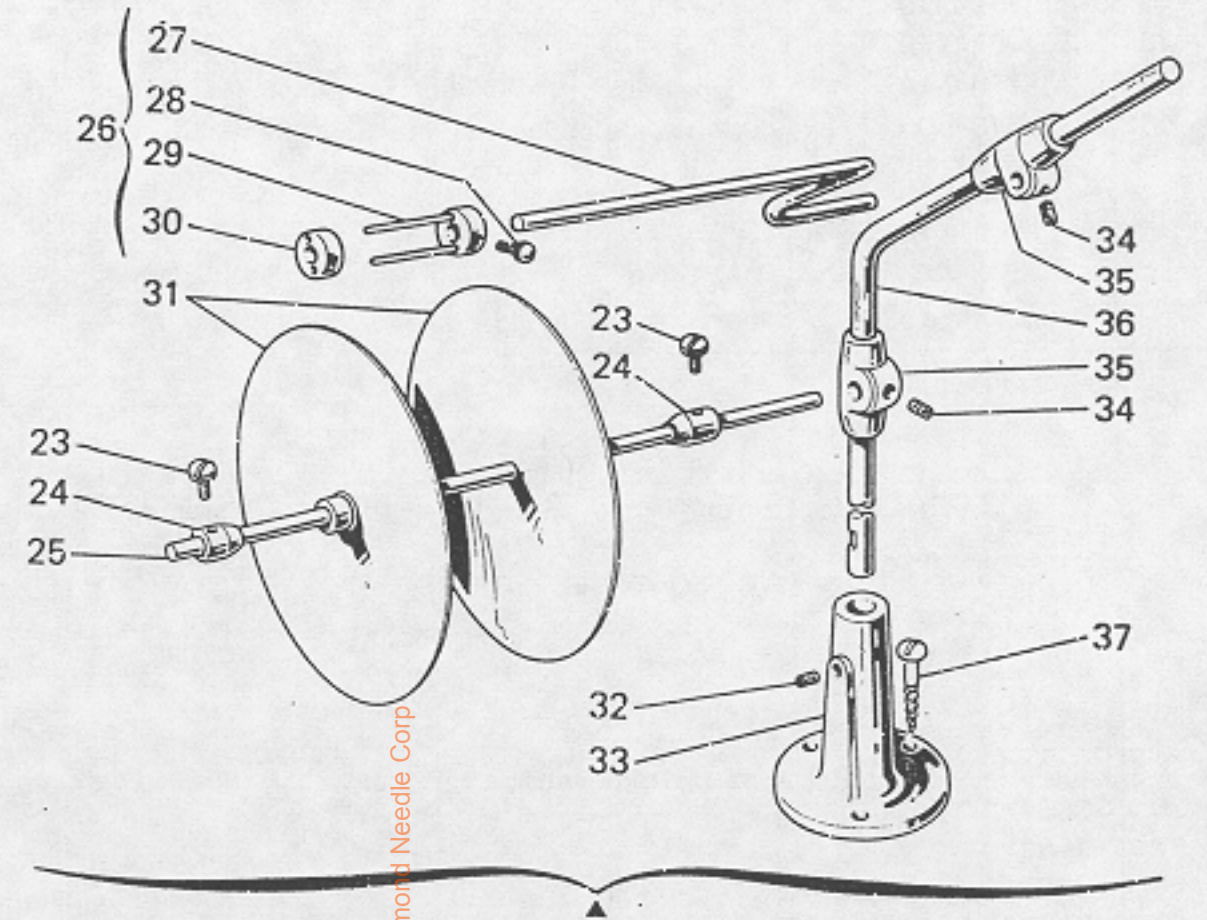
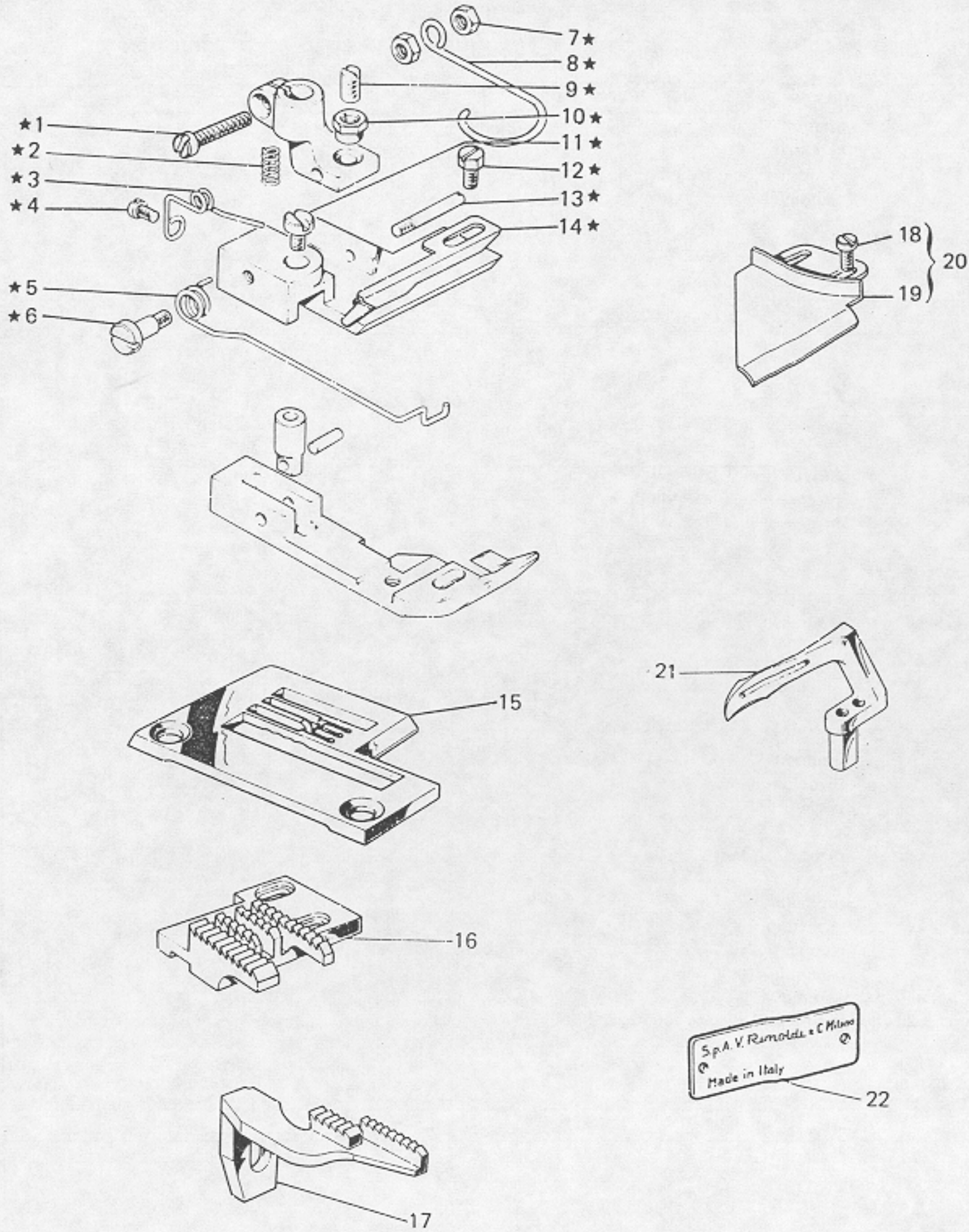


Fig. N. Abb. N.	Part. N. Piece N. Bestell N. Pieza N.	Qt. Anzahl	DESCRIZIONE	DESCRIPTION	DESCRIPTION	BENENNUNG	DESCRIPCION
45	302769-0-10	1	pomolo	knob	pommeau		
46	302767-0-10	1	molla	spring	ressort		
47	302770-0-10	1	pomolo	knob	pommeau		
48	310043-4-00	1	guida regolabile completa	contro guide assembly	guide réglable complet		
45	<u>Tav.4</u> 302842-0-10	1	squadretta	bracket	équerre		
■	309573-4-00	1	SOLO A RICHIESTA gruppo salva ago	ONLY ON REQUEST rear needle guard assembly	SEULEMENT SUR DEMANDE protège aiguille complète		
62	305171-0-00	1	salva ago	rear needle guard	protège-aiguille		
▲	<u>Tav.10</u> 309801-4-00	1	morsetto porta aghi completo	needles clamp assembly	porte-aiguilles complet		
26	309752-2-00	1	morsetto porta aghi	needles clamp	porte-aiguilles		
27	745810-2-00	3	vite	screw	vis		
28	766000-6-90	3	ago sist.Rim 63 fin.90	needle syst.Rim 63 size 90	aiguille syst.Rim 63 jauge 90		
42	309770-0-00	1	passafilo	thread guide	passe-fil		
★	<u>Tav. 14</u> 308531-4-00	1	gruppo tensioni	tensions assembly	groupe tensions		
20	308506-0-00	4	pernetto	pin	pivot		
21	308501-0-01	4	passafilo	thread guide	passe-fil		
22	308503-0-01	4	guida filo	thread guide	guide-fil		
25	308505-0-00	4	perno a vite	pin	pivot		
26	300218-0-10	8	disco tensione	tension disc	disque tension		
27	308507-0-00	4	rondella	washer	rondelle		
28	202556-0-00	4	scodellino	cup	cuvette		
29	200710-0-10	3	molla	spring	ressort		
30	202229-0-10	4	bussola superiore	upper bush	bague supérieur		
31	202558-2-00	4	pomolo	knob	pommeau		
33	308518-4-00	3	tensione sup.con molla fig.29	upper tension with spring fig.29	tension sup.avec ressort fig. 29		

From the library of: Diamond Needle Corp

VARIANTE PER

VARIATION FOR

VARIANTE POUR

261-34-2DR-15

261-34-3DR-55

From the library of: Diamond Needle Corp

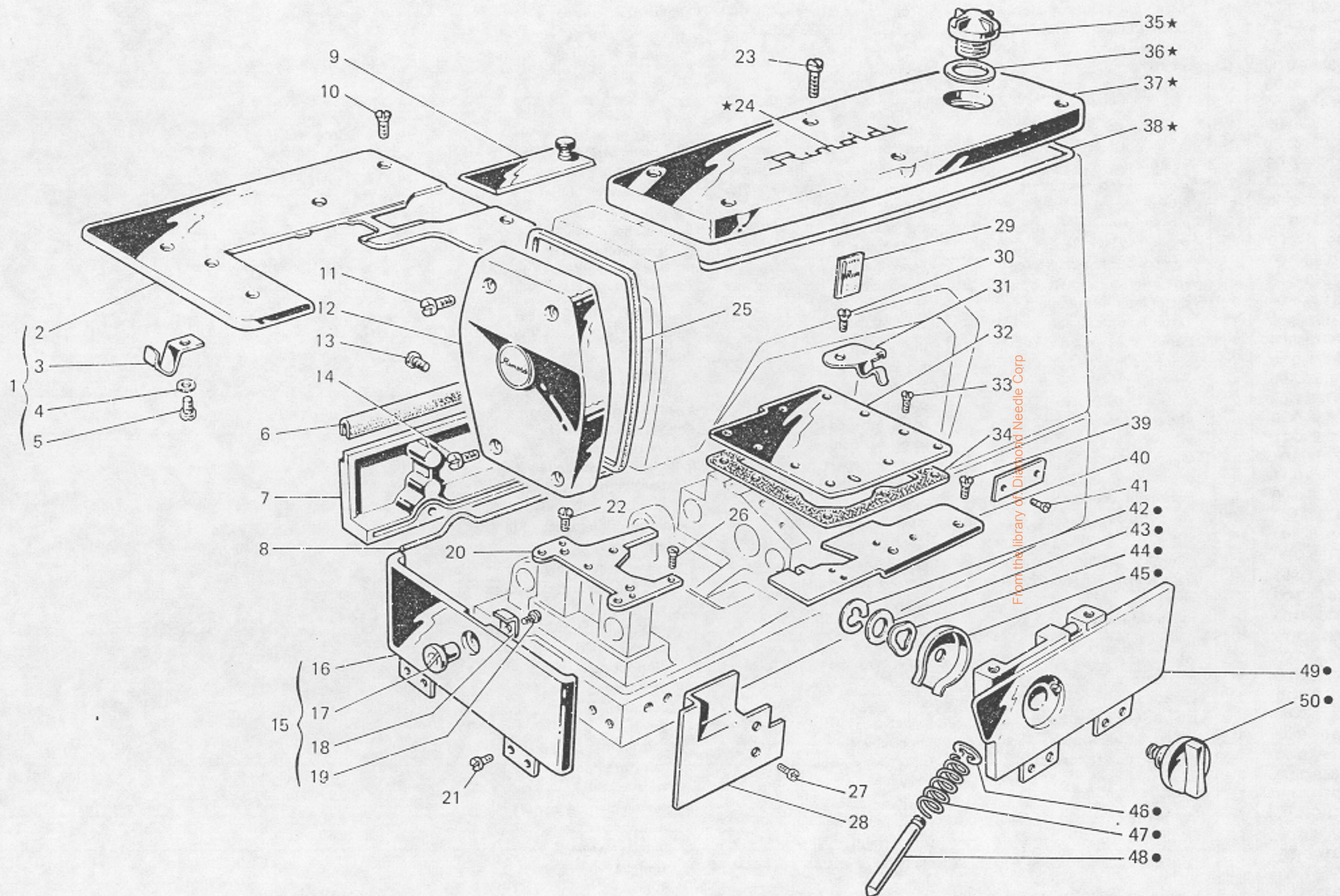


Fig. N. Abb. N.	Part. N. Piece N. Bestell N. Pieza N.	Qt. Anzahl	DESCRIZIONE	DESCRIPTION	DESCRIPTION	BENENNUNG	DESCRIPCION
★	308103-4-10	1	coperchio superiore completo	upper cover assembly	couvercle supérieur compl.		
●	309213-4-00	1	carter anteriore completo	front cover assembly	carter avant complet		
1	309059-4-00	1	piano di lavoro compl.	working plate assembly	plan de travail complet		
2	309042-2-00	1	piano di lavoro	working plate	plan de travail		
3	309351-0-00	1	molla	spring	ressort		
4	704306-0-00	1	rondella	washer	rondelle		
5	720411-2-00	1	vite	screw	vis		
6	309088-0-00	1	guarnizione	gasket	garniture		
7	309086-0-01	1	carter posteriore	rear cover	carter arrière		
8	309084-0-00	1	guarnizione	gasket	garniture		
9	309302-2-00	1	coperchio scorrevole	sliding cover	couvercle coulissant		
10	744636-2-00	5	vite	screw	vis		
11	302354-0-10	2	vite superiore	upper screw	vis supérieure		
12	308101-2-00	1	coperchio laterale	slide cover	couvercle latéral		
13	741088-2-00	3	vite per carter posteriore	screw for rear cover	vis pour carter arrière		
14	302353-0-10	2	vite inferiore	lower screw	vis inférieur		
15	309139-4-00	1	carter laterale completo	side cover assembly	carter latéral complet		
16	309126-3-00	1	carter laterale	side cover	carter latéral		
17	309372-0-00	1	perno	pin	pivot		
18	309371-0-00	1	chiavistello	key	clé		
19	741658-2-00	1	vite	screw	vis		
20	308783-2-00	1	piastra porta placca	plate	plaque		
21	300483-0-10	8	vite per cerniera	screw for hinge	vis pour charnière		
22	302355-0-10	2	vite per piastra	screw for plate	vis pour plaque		
23	742282-2-00	6	vite per coperchio	screw for cover	vis pour couvercle		
24	300006-0-11	2	decalcomania	decalcomania	décalcomania		
25	308128-0-00	1	guarnizione coperchio	cover gasket	garniture couvercle		
26	744730-0-00	2	vite per placca ago	screw for needle plate	vis pour plaque aiguille		
27	741925-2-00	2	vite	screw	vis		
28	309155-0-00	1	semicarter anteriore sinistro	front left cover	carter avant gauche		
29	788020-0-01	1	decalcomania sistema aghi	needles decalcomania	décalcomanie syst.aiguille		
30	721474-2-00	1	vite	screw	vis		
31	309360-0-00	1	molla chiusura carter	spring	ressort		
32	309324-2-10	1	piastra superiore	upper plate	plaque supérieure		
33	741936-2-00	9	vite per piastra	screw for plate	vis pour plaque		
34	309323-0-00	1	guarnizione	gasket	garniture		
35	202239-0-10	1	cupolina	cup	coupole		
36	705970-0-00	1	guarnizione per cupolina	gasket	garniture		
37	308102-0-00	1	coperchio superiore	upper cover	couvercle supérieur		
38	308129-0-00	1	guarnizione per coperchio	gasket for cover	garniture pour couvercle		
39	744656-2-00	2	vite	screw	vis		
40	309229-0-00	1	piastra piano di lavoro	working plate	plaque plan de travail		
41	202165-0-10	2	vite per targhetta	screw for plate	vis pour plaquette		
42	700208-0-00	1	anello elastico	spring ring	anneau ressort		
43	704314-2-00	1	rondella	washer	rondelle		
44	309326-0-00	1	anello	ring	anneau		
45	309327-0-00	1	coperchio	cover	couvercle		
46	700206-0-00	1	anello elastico	spring ring	anneau ressort		
47	204938-0-10	1	molla	spring	ressort		

From the library of: Diamond Needle Corp

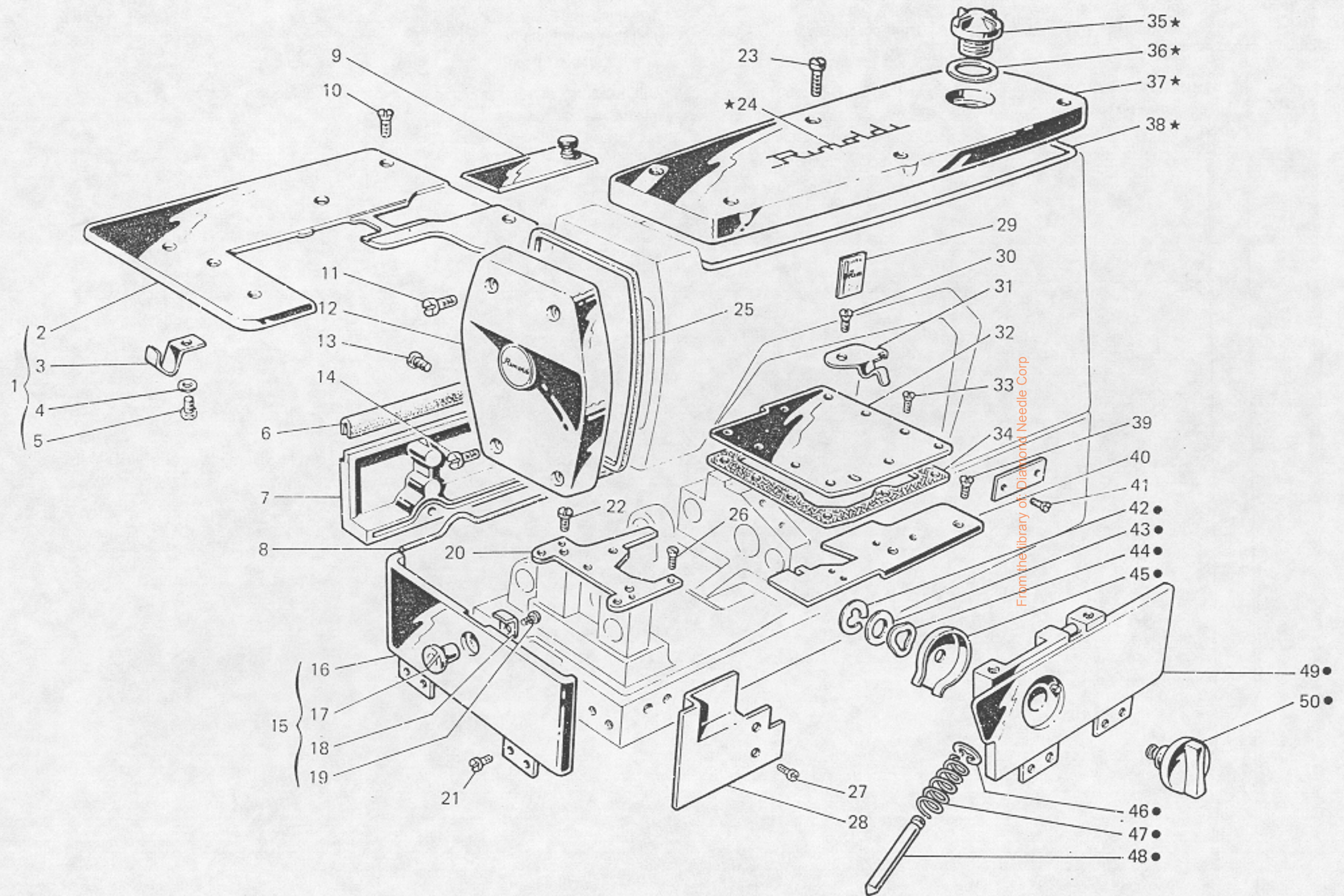


Fig. N. Abb. N.	Part. N. Piece N. Bestell N. Pieza N.	Qt. Anzahl	DESCRIZIONE	DESCRIPTION	DESCRIPTION	BENENNUNG	DESCRIPCION
48	309328-0-00	1	spina	pin	goupille		
49	309210-3-00	1	carter anteriore	front cover assembly	carter avant complet		
50	309329-0-00	1	manopola	knob	poignée		
40	309231-0-00	1	SOLO A RICHIESTA piastra piano di lavoro	ONLY ON REQUEST plate	SEULEMENT SUR DEMANDE plaque plan de travail		

From the library of: Diamond Needle Corp

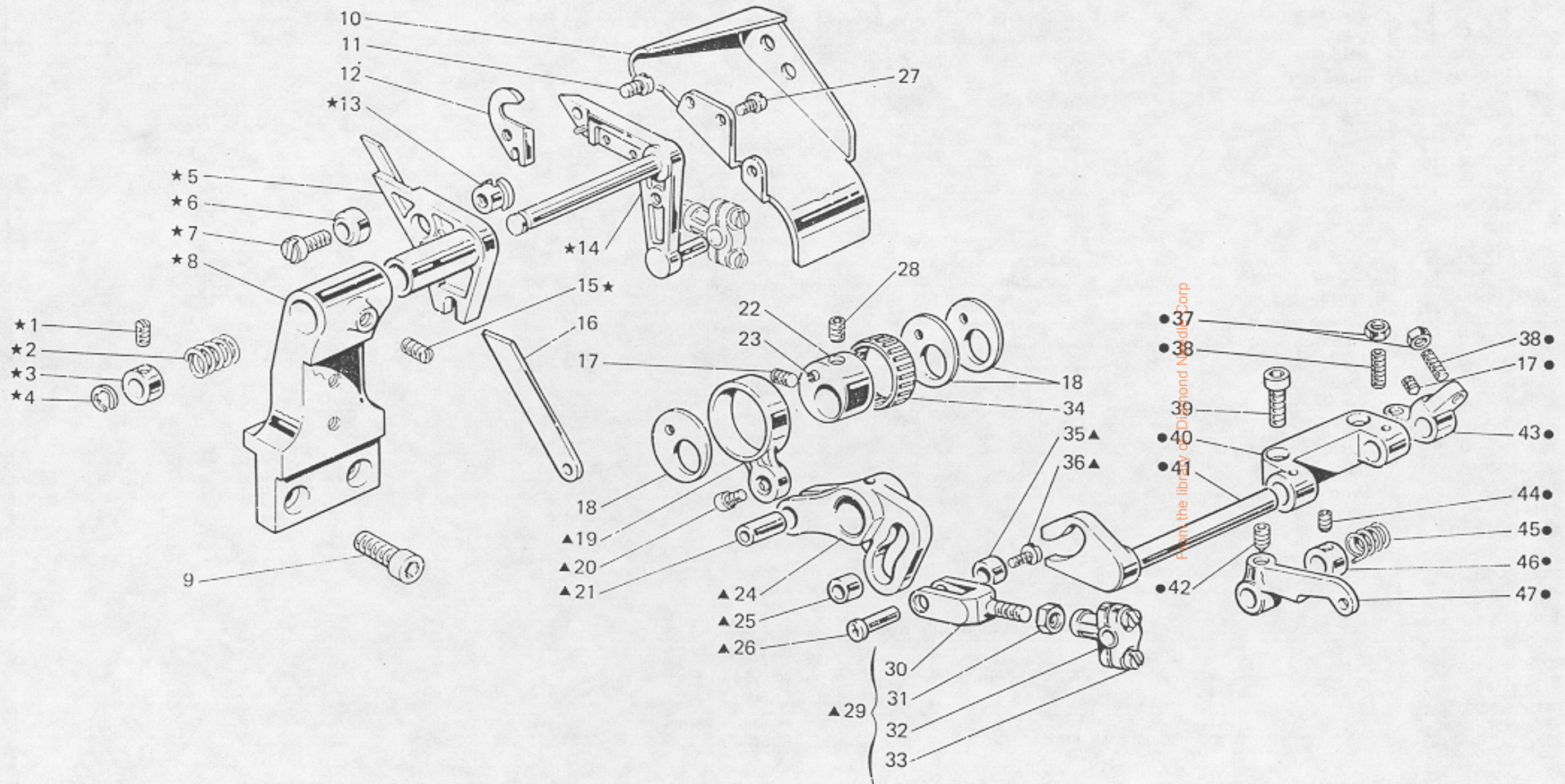


Fig. N. Abb. N.	Part. N. Pezce N. Bestell N. Pieza N.	Qt. Anzahl	DESCRIZIONE	DESCRIPTION	DESCRIPTION	BENENNUNG	DESCRIPCION
—	308346-5-01	1	gruppo porta griffa completa (con★-31-32-37-41-42-46)	feed dog holder assembly (with★-31-32-37-41-42-46)	groupe porte-griffe (avec★-31-32-37-41-42-46)		
★	308192-4-01	1	gruppo porta griffa	feed dog holder assembly	groupe porte-griffe		
●	308286-4-00	1	gruppo leva	lever assembly	groupe levier		
◆	308340-4-00	1	gruppo comando crochet	looper control assembly	groupe commande crochet		
1	740475-2-00	1	vite	screw	vis		
2	300228-0-10	1	bussola	bush	bague		
3	308194-0-01	1	settore	sector	secteur		
4	740257-0-00	1	vite	screw	vis		
5	740243-0-00	1	vite	screw	vis		
6	704805-0-00	2	rondella	washer	rondelle		
7	202486-0-10	1	vite	screw	vis		
8	301519-2-11	1	attacco	clamp	raccord		
9	742813-0-00	1	vite	screw	vis		
10	308285-0-00	1	perno	pin	pivot		
11	308283-2-00	1	leva comando porta griffa	lever	levier		
12	308191-4-00	1	supporto oscillante compl.	oscillating support assembly	support coulissant complet		
13	729013-2-00	2	vite	screw	vis		
14	308193-2-00	1	supporto con viti	support with screws	support avec vis		
15	308190-0-00	2	anello di tenuta	retainer ring	bague d'étanchéité		
16	300362-0-11	1	cursore	slider	courseur		
17	308276-0-10	1	vite	screw	vis		
18	308196-0-10	1	bussola	bush	bague		
19	308275-2-00	1	biella	con-rod	bielle		
20	746404-0-00	1	dado	nut	écrou		
21	778412-0-00	1	stoppino	wick	mèche		
22	745815-2-00	1	vite	screw	vis		
23	309560-0-00	2	rondella	washer	rondelle		
24	300361-0-11	1	piastrina	plate	plaque		
25	300231-0-20	1	slitta porta griffa	feed dog slide	glissière porte griffe		
26	721444-2-00	1	vite fissa griffa	screw	vis		
27	706434-0-00	2	spina	pin	goupille		
28	741928-0-00	4	vite	screw	vis		
29	300371-0-10	2	squadretta	bracket	équerre		
30	302028-0-12	1	braccio porta griffa	feed dog arm	bras porte-griffe		
31	300209-0-10	2	perno	pin	pivot		
32	778238-0-00	2	stoppino	wick	mèche		
33	308195-0-00	1	perno	pin	pivot		
34	308289-2-00	1	perno per supporto oscillante	pin	pivot		
35	778522-0-00	1	stoppino	wick	mèche		
36	741546-2-00	2	vite fissa griffa	screw	vis		
37	742811-0-00	1	vite	screw	vis		
38	728232-0-00	1	vite	screw	vis		
39	704846-0-00	1	rondella	washer	rondelle		
40	745136-2-00	3	vite	screw	vis		
41	308030-2-00	1	eccentrico con viti fig.42	eccentric with screw fig.42	excentrique avec vis fig.42		
42	727215-0-00	7	vite	screw	vis		
43	302152-0-10	1	vite	screw	vis		
44	704406-0-00	1	rondella	washer	rondelle		

From the library of: Diamond Needle Corp

Fig. N. Abb. N.	Part. N. Piece N. Bestell N. Pieza N.	Qt. Anzahl	DESCRIZIONE	DESCRIPTION	DESCRIPTION	BENENNUNG	DESCRIPCION
★	309380-4-01	1	porta coltello completo	knife holder assembly	porte-couteau complet		
▲	303026-4-10	1	comando coltello sup.compl.	upper knife control assembly	commande couteau sup.compl.		
●	303028-4-11	1	supp.disinnesto rifil.compl.	supporto assembly	support complet		
1	745114-0-00	2	vite	screw	vis		
2	302803-0-10	1	molla	spring	ressort		
3	302859-0-10	1	anello	spring	ressort		
4	700210-0-00	1	anello elastico	spring ring	anneau ressort		
5	302804-2-10	1	porta coltello inferiore	lower knife holding	porte-couteau inférieur		
6	302864-0-10	1	scodellino	cup	cuvette		
7	721475-2-00	1	vite	screw	vis		
8	309373-2-00	1	supporto	support	support		
9	722454-2-00	2	vite	screw	vis		
10	303022-0-10	1	carterino	cover	carter		
11	741642-2-00	1	vite	screw	vis		
12	303012-0-10	1	coltello superiore	upper knife	couteau supérieur		
13	302806-0-10	1	anello	ring	anneau		
14	302801-3-11	1	porta coltello superiore	upper knife holding	porte-couteau supérieur		
15	727056-0-00	1	vite	screw	vis		
16	302808-0-10	1	coltello inferiore	lower knife	couteau inférieur		
17	730023-2-00	2	vite	screw	vis		
18	303043-0-10	3	rondella eccentrica	eccentric washer	rondelle excentrique		
19	303013-0-10	1	attacco comando coltello	attachment	raccord		
20	742811-0-00	1	vite	screw	vis		
21	303010-0-10	1	perno	pin	pivot		
22	308763-3-00	1	eccentrico con spina e viti	eccentric with pin and screws	excentrique avec goupille et vis		
23	303042-0-10	1	spina elastica	split pin	goupille réglable		
24	303025-2-10	1	settore	sector	secteur		
25	303031-0-10	1	rullino	roller	rouleau		
26	303048-0-10	1	perno	pin	pivot		
27	721412-2-00	3	vite	screw	vis		
28	729013-2-00	1	vite	screw	vis		
29	303046-4-10	1	biella comando coltello	knif control con-rod	bielle commande couteau		
30	303047-0-10	1	forcella	fork	fourche		
31	746403-2-00	1	dado	nut	écrou		
32	302844-3-10	1	testa di biella con viti	con-rod big end with screws	tête de bielle avec vis		
33	743243-2-00	2	vite	screw	vis		
34	302857-0-10	1	gabbia a rulli	needles cage	cage à aiguilles		
35	303030-0-10	1	rullino	roller	rouleau		
36	741658-2-00	1	vite	screw	vis		
37	746007-2-00	2	dado	nut	écrou		
38	729062-2-00	2	vite	screw	vis		
39	722452-2-00	2	vite	screw	vis		
40	303027-0-10	1	supporto	support	support		
41	303029-0-10	1	leva	lever	levier		
42	729043-2-00	1	vite	screw	vis		
43	303034-0-10	1	blocchetto	block	bloc		
44	745812-2-00	1	vite	screw	vis		
45	303041-0-10	1	molla	spring	ressort		
46	303044-0-10	1	anello	ring	anneau		

From the library of: Diamond Needle Corp

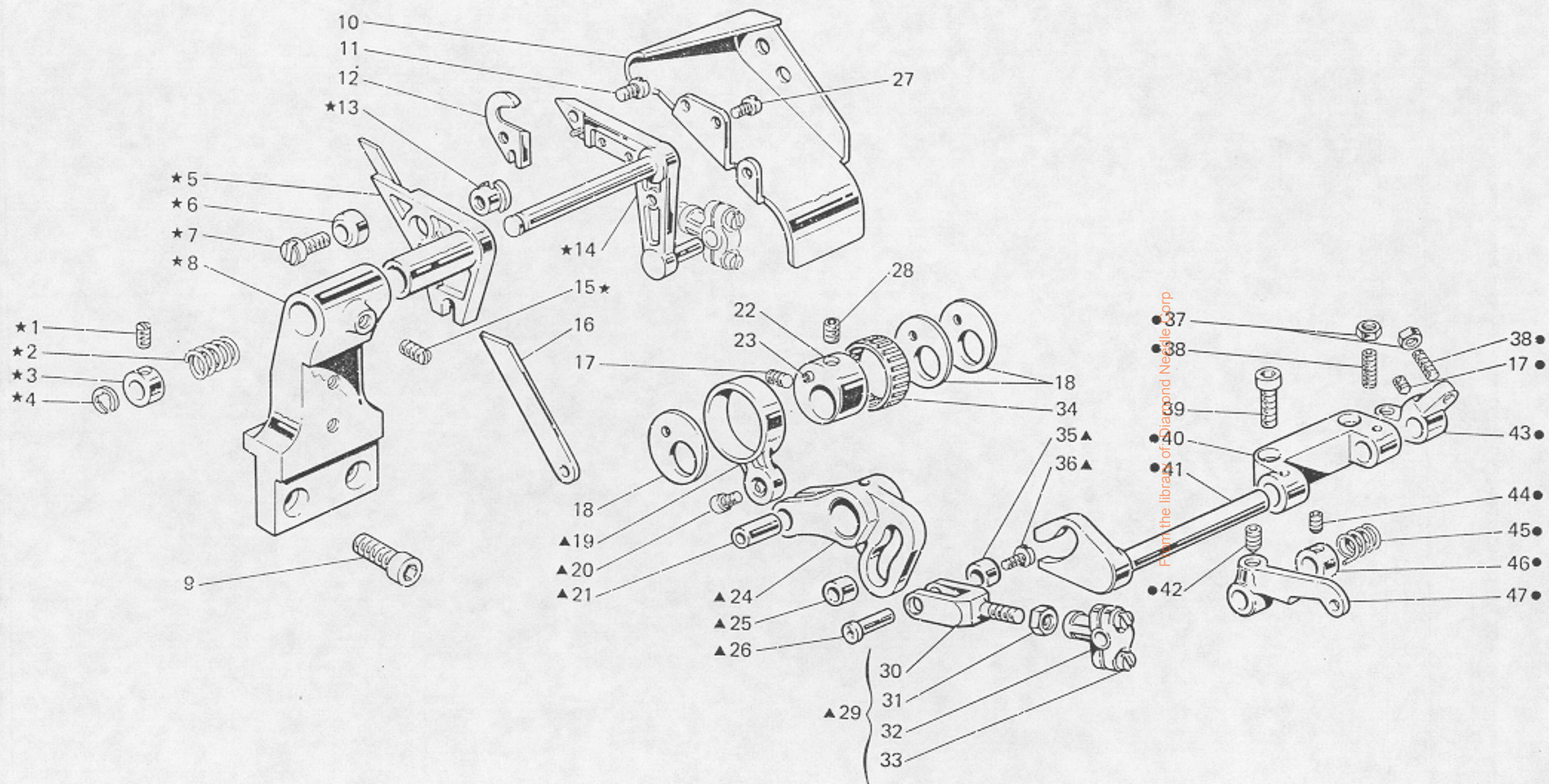


Fig. N. Abb. N.	Part. N. Bestell N. Piece N. Pieza N.	Qt. Anzahl	DESCRIZIONE	DESCRIPTION	DESCRIPTION	BENENNUNG	DESCRIPCION
47	303033-0-11	1	leva	lever	levier		
10	303050-0-10	1	SOLO A RICHIESTA	ONLY ON REQUEST	SEULEMENT SUR DEMANDE		
16	305670-2-00	1	carterino	cover	carter		
			coltello inferiore	lower knife	couteau inférieur		

From the library of: Diamond Needle Corp

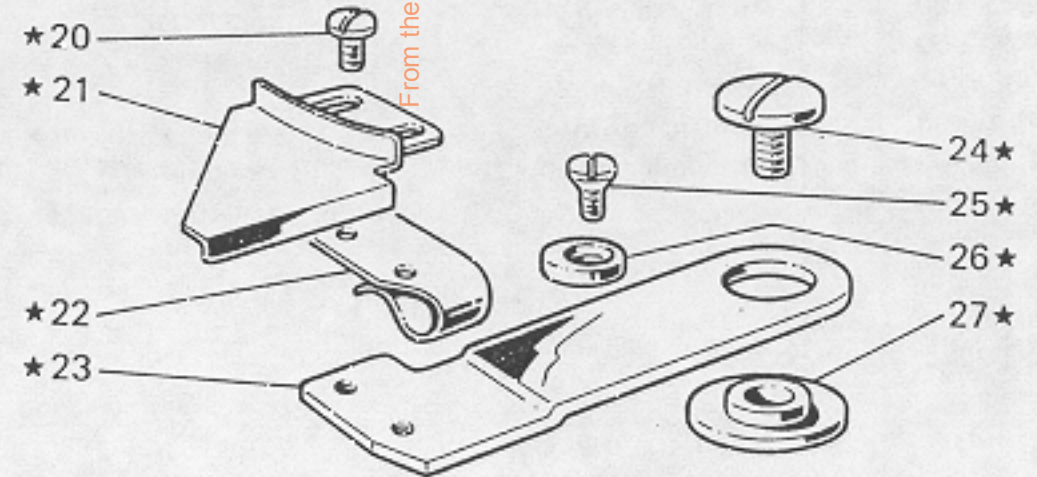
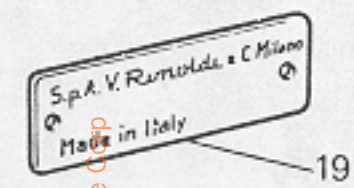
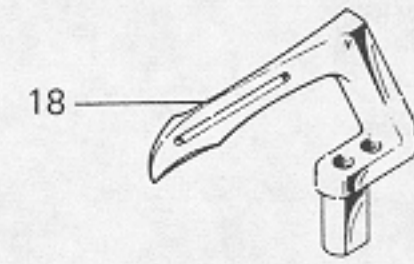
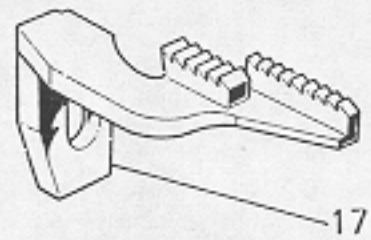
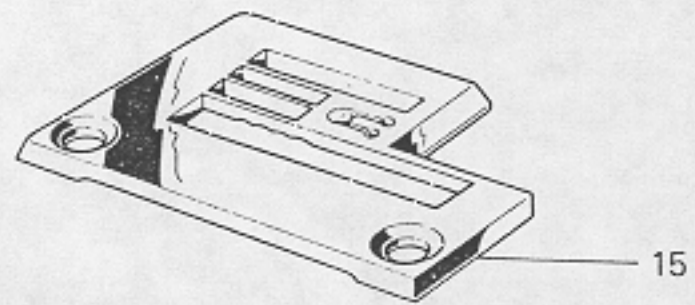
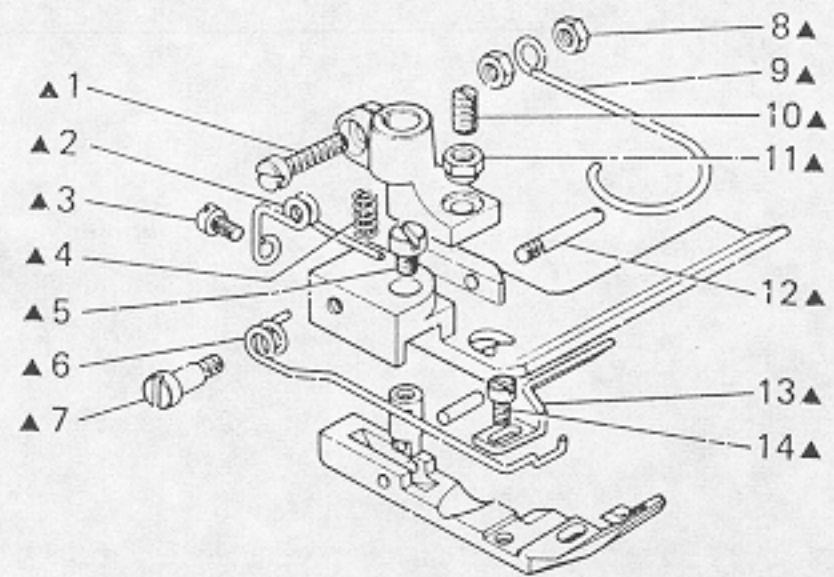
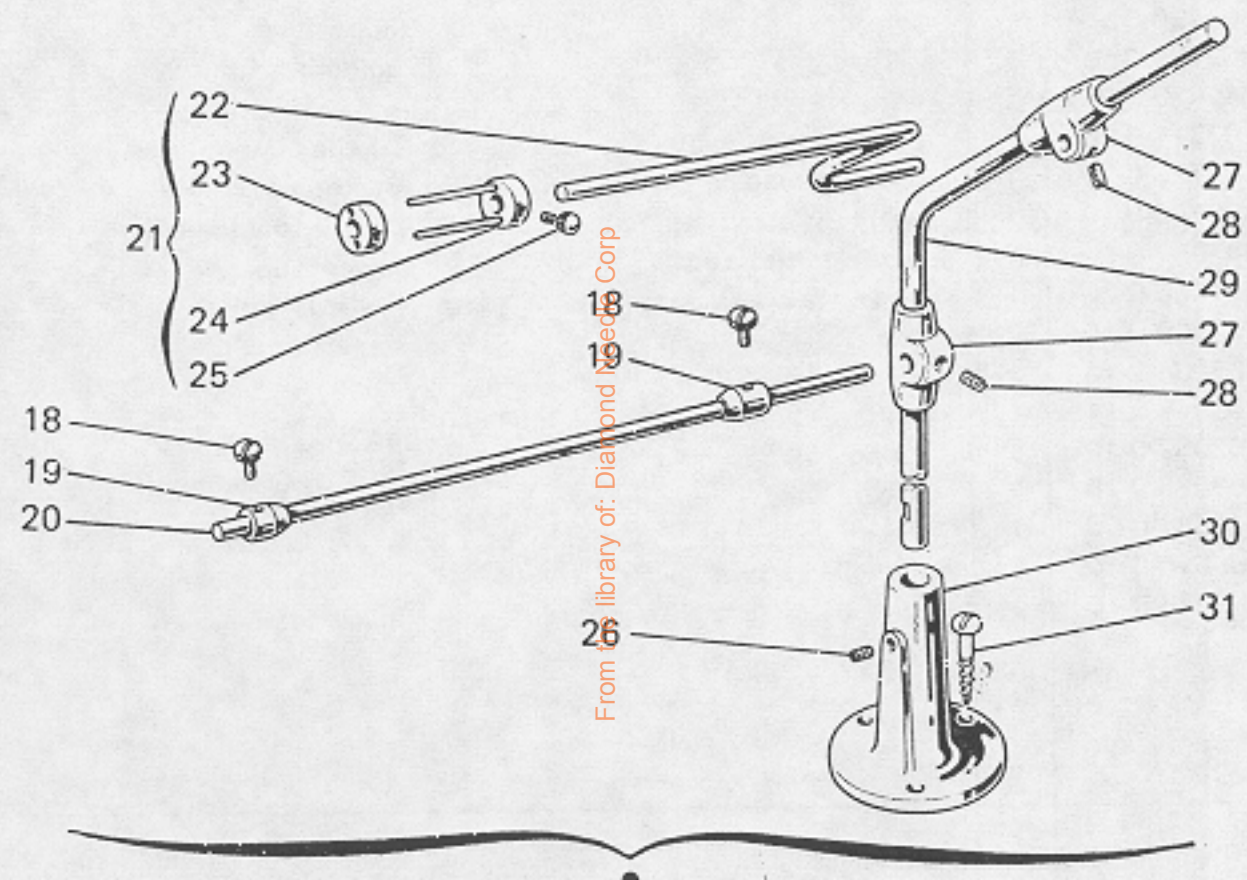
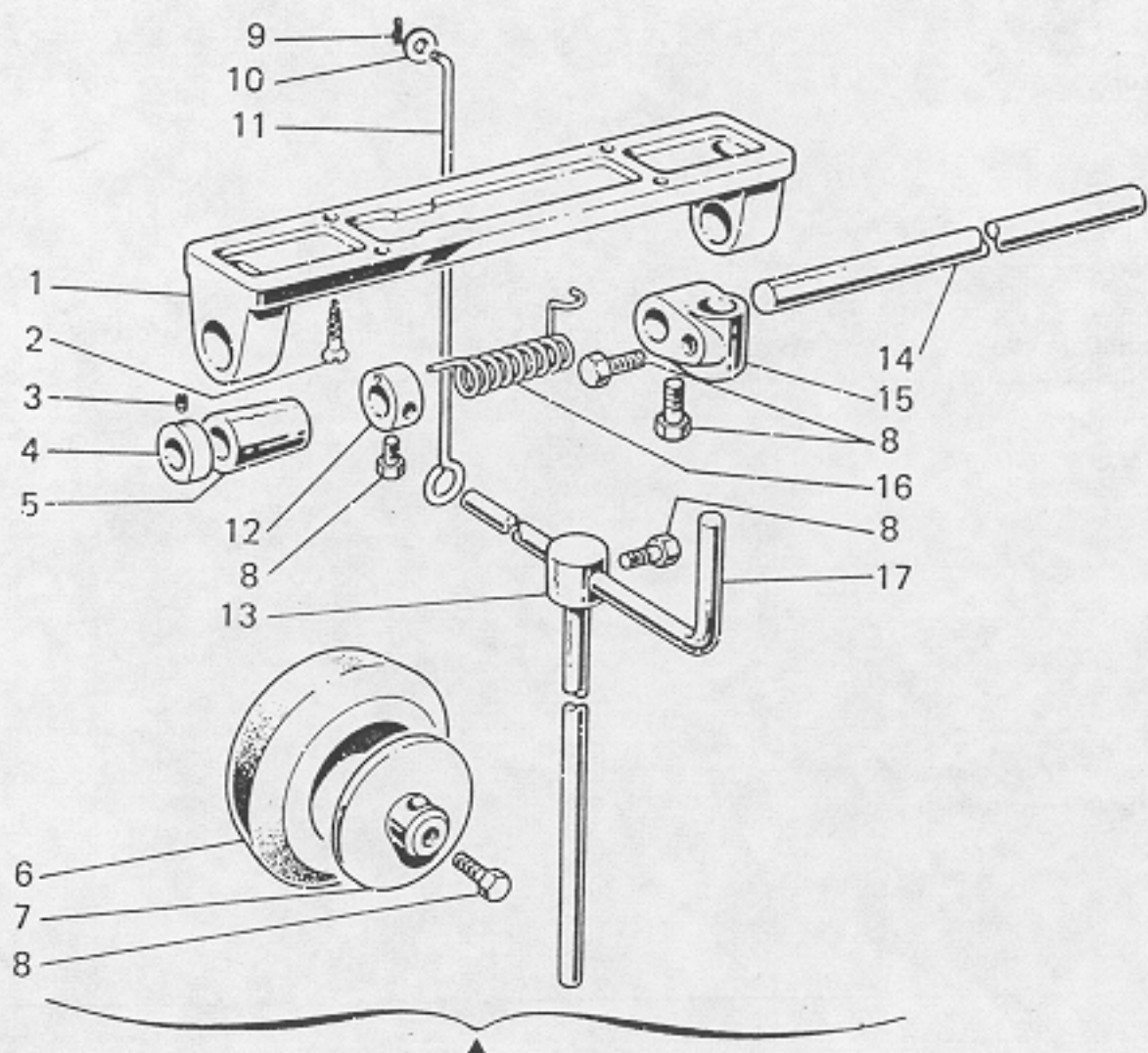


Fig. N. Abb. N.	Part. N. Piece N. Bestell N. Pieza N.	Qt. Anzahl	DESCRIZIONE	DESCRIPTION	DESCRIPTION	BENENNUNG	DESCRIPCION
●	990709-4-12	1	porta rotolo completo	roll carrier assembly	porte-rouleau complet		
▲	920083-4-00	1	ginocchiello completo	knee press assembly	genouillère compl.		
1	920090-0-00	1	supporto	support	support		
2	731306-0-00	4	vite da legno	screw	vis		
3	729013-2-00	2	vite	screw	vis		
4	920242-2-00	2	anello con viti	ring with screws	anneau avec vis		
5	920231-0-00	2	bussola	bush	bague		
6	920113-0-10	1	cuscinio	pad	coussin		
7	920105-0-10	1	disco	disc	disque		
8	740035-0-00	6	vite	screw	vis		
9	702032-0-00	1	copiglia	split pin	goupille		
10	704206-0-00	1	rondella	washer	rondelle		
11	920190-0-10	1	tirante	tie-rod	tirant		
12	920114-0-10	1	anello	ring	anneau		
13	920150-0-10	1	asta	rod	tige		
14	920230-0-00	1	albero	shaft	arbre		
15	920183-0-10	1	attacco	raccord	raccord		
16	920106-0-10	1	molla	spring	ressort		
17	920192-0-10	1	leva	lever	levjer		
18	990596-0-10	2	pomolo	knob	pommeau		
19	990594-2-00	2	anello di registro con pomolo	adjustment ring with knob	anneau de réglage avec pommeau		
20	990593-0-11	1	spina	pin	goupille		
21	990705-4-11	1	passa nastro	strap guide	guide pour bande		
22	990704-0-11	1	spina	pin	goupille		
23	990708-0-10	1	morsetto	clamp	bride		
24	990707-2-10	1	morsetto con spina	clamp with pin	bride avec goupille		
25	930096-0-10	2	pomolo	knob	pommeau		
26	729054-2-00	1	vite	screw	vis		
27	991153-2-00	2	supporto con viti	support with screws	support avec vis		
28	729024-2-00	4	vite	screw	vis		
29	990703-0-11	1	asta	rod	tige		
30	991114-2-00	1	basetta con vite	base with screw	base avec vis		
31	731107-2-00	3	vite da legno	screw	vis		

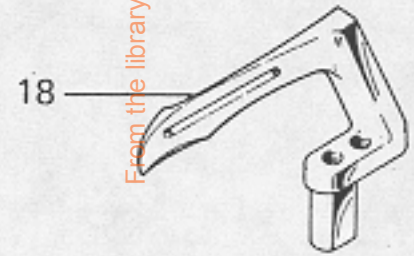
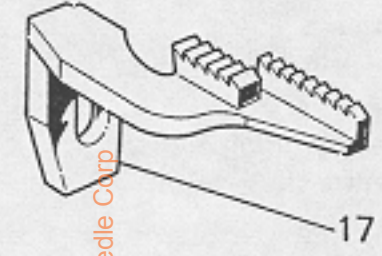
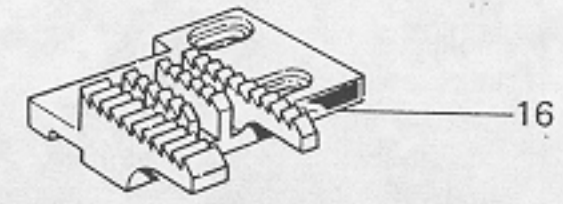
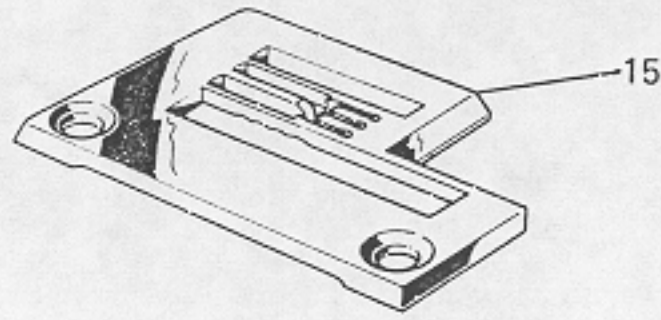
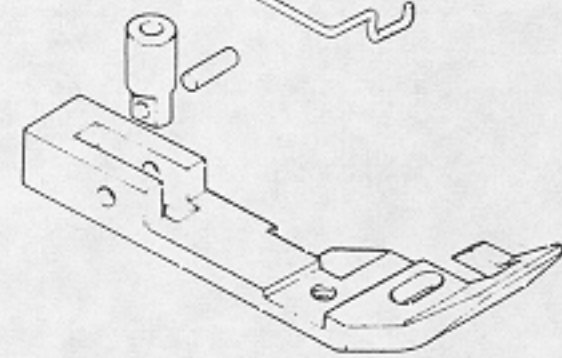
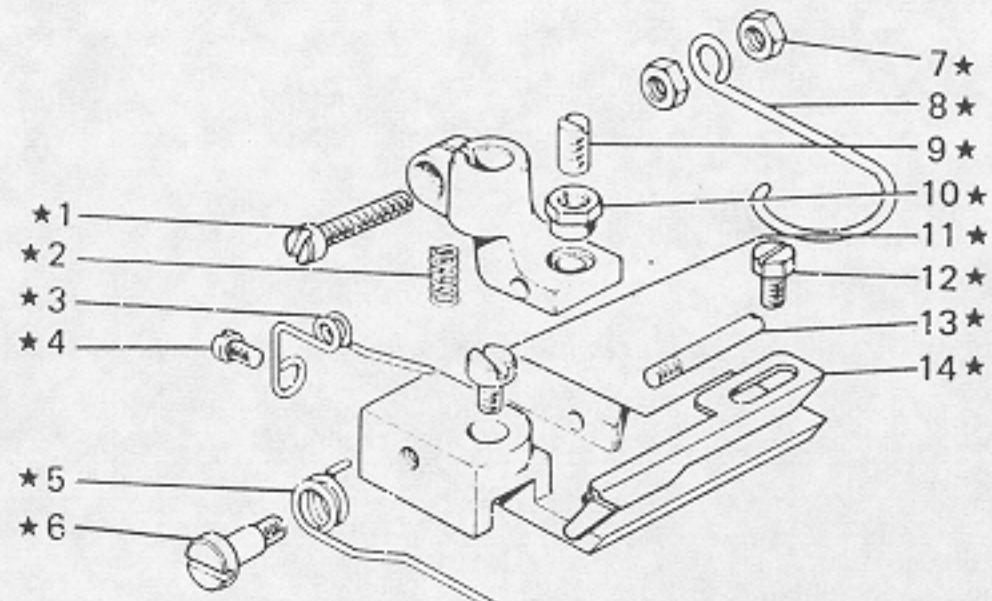
From the library of: Diamond Needle Corp



From the library of: Diamond Recorp

Fig. N. Abb. N.	Part. N. Bestell N. Piece N. Pieza N.	Cl. Anzahl	DESCRIZIONE	DESCRIPTION	DESCRIPTION	BENENNUNG	DESCRIPCION
▲	306679-3-00	1	piedino completo	presserfoot assembly	pied presseur complet		
★	303039-4-11	1	guida completa	guide assembly	guide complet		
1	741781-2-00	1	vite	screw	vis		
2	300119-0-11	1	molla	spring	ressort		
3	721411-2-00	1	vite	screw	vis		
4	303052-0-00	1	molla	spring	ressort		
5	741414-2-00	1	vite	screw	vis		
6	302821-0-10	1	molla	spring	ressort		
7	743134-2-00	1	vite	screw	vis		
8	733504-2-00	2	dado	nut	écrou		
9	990808-0-01	1	salvadita	protection	protection		
10	301596-0-11	1	vite	screw	vis		
11	301598-0-11	1	dado	nut	écrou		
12	300120-0-10	1	spina	pin	goupille		
13	302773-0-11	1	guida	guide	guide		
14	741413-2-00	1	vite	screw	vis		
15	302811-0-10	1	placca ago	needle plate	plaque aiguille		
16	302796-0-10	1	griffa principale	main feed dog	griffe principale		
17	302798-0-10	1	griffa differenziale	differential feed dog	griffe différentielle		
18	302057-0-11	1	crochet inferiore	lower looper	crochet inférieur		
19	784360-0-20	1	targhetta classe testa	head class plate	plaque classe tête		
20	203589-0-10	2	vite	screw	vis		
21	303038-2-10	1	guida	guide	guide		
22	303040-0-11	1	molla	spring	ressort		
23	303037-0-10	1	supporto	support	support		
24	303035-0-10	1	vite	screw	vis		
25	744634-0-00	1	vite	screw	vis		
26	300610-0-10	1	rondella eccentrica	eccentric washer	rondelle excentrique		
27	303036-0-10	1	rondella distanziale	spacer washer	rondelle entretoise		
	<u>Tav. 3</u>		ANNULLATA	CANCELLED	ANNULEE		
	<u>Tav. 13</u>		ANNULLATA	CANCELLED	ANNULEE		

From the library of: Diamond Needle Corp



SpA V. Rinaldi & C. Milano
Made in Italy

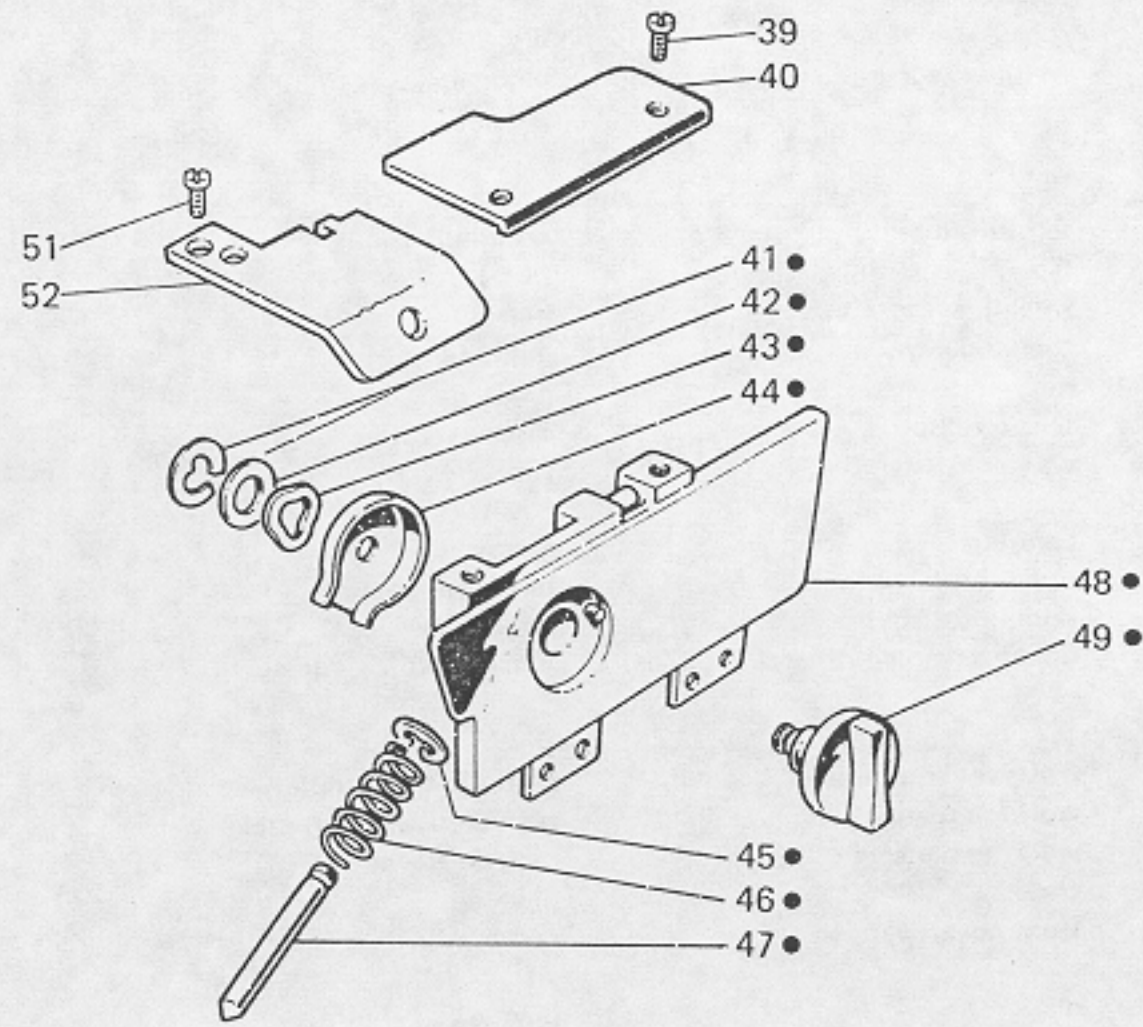
19

From the library of: Diamond Needle Corp

Fig. N. Abb. N.	Part. N. Bestell N. Piece N. Pieza N.	Qt. Anzahl:	DESCRIZIONE	DESCRIPTION	DESCRIPTION	BENENNUNG	DESCRIPCION
★	306678-3-00	1	piedino completo	presserfoot assembly	pied-presseur complet		
1	741781-2-00	1	vite	screw	vis		
2	303052-0-00	1	molla	spring	ressort		
3	300119-0-11	1	molla	spring	ressort		
4	721411-2-00	1	vite	screw	vis		
5	302821-0-10	1	molla	spring	ring		
6	743134-2-00	1	vite	screw	vis		
7	733504-2-00	2	dado	nut	écrou		
8	990808-0-01	1	salvadita	protection	protection		
9	301596-0-11	1	vite	screw	vis		
10	301598-0-11	1	dado	nut	écrou		
11	741414-2-00	1	vite	screw	vis		
12	203658-0-10	1	vite	screw	vis		
13	300120-0-10	1	spina filettata	pin	goupille		
14	304411-0-11	1	guida	guide	guide		
15	302735-0-10	1	placca ago	needle plate	plaque aiguille		
16	302795-0-10	1	griffa principale	main feed dog	griffe principale		
17	302797-0-10	1	griffa differenziale	differential feed dog	griffe différentielle		
18	302057-0-11	1	crochet inferiore	lower looper	crochet inférieur		
19	784300-0-20	1	targhetta classe testa	head class plate	plaque classe tête		

From the library of: Diamond Needle Corp

TAV. 27



From the library of: Diamond Needle Corp

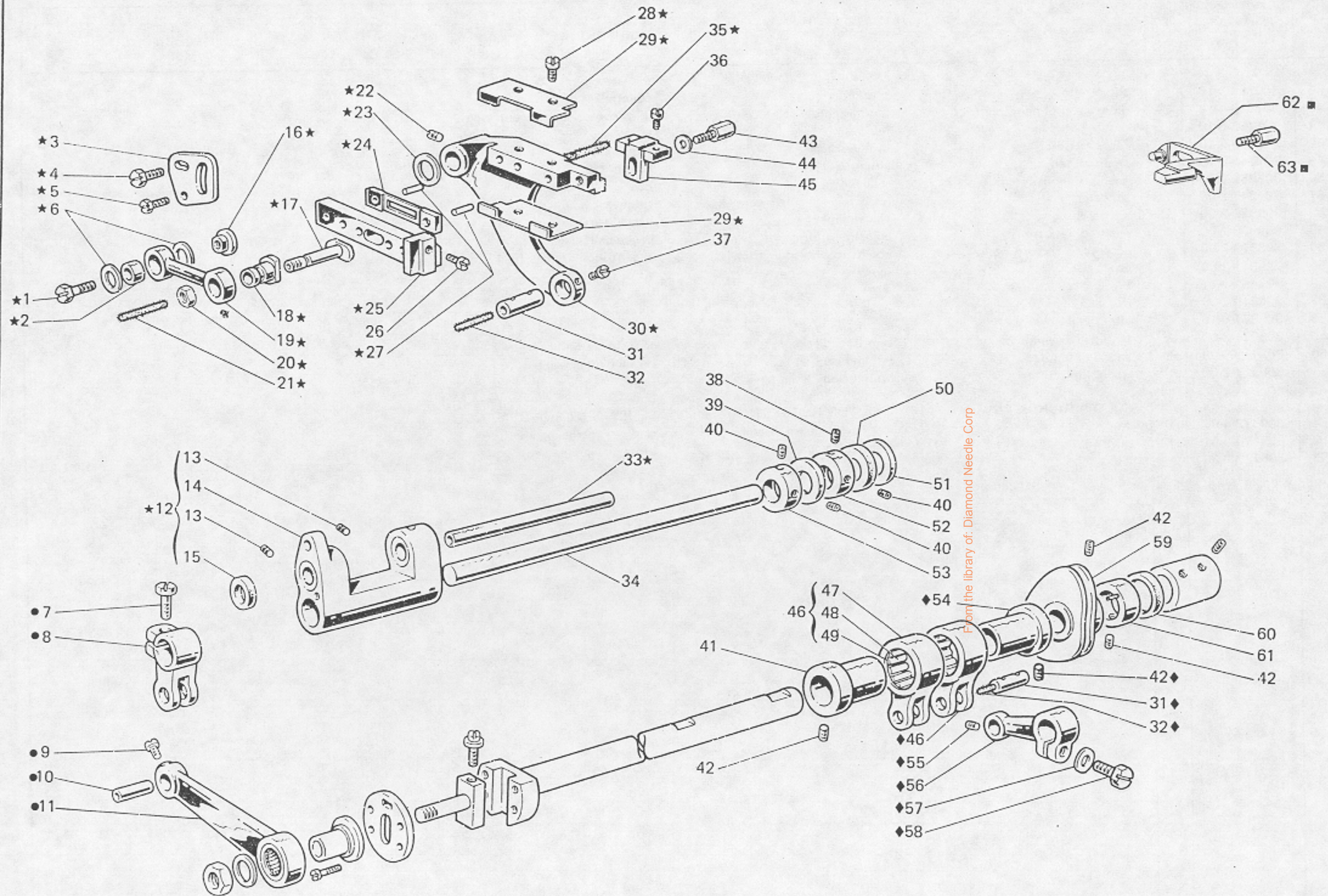


Fig. N. Abb. N.	Part. N. Piecce N. Bestell N. Piezas N.	Qt. Anzahl	DESCRIZIONE	DESCRIPTION	DESCRIPTION	BENENNUNG	DESCRIPCION
45	<u>Tav. 4</u> 302842-0-10	1	squadretta	bracket	équerre		
■	309573-4-00	1	SOLO A RICHIESTA	ONLY ON REQUEST	SEULEMENT SUR DEMANDE		
62	305171-0-00	1	gruppo salva ago	rear needle guard assembly	groupe protège-aiguille		
		1	salva ago	rear needle guard	protège-aiguille		
	<u>Tav.10</u>						
▲	309800-4-00	1	morsetto porta aghi compl.	needles clamp assembly	porte-aiguilles complet		
26	309751-2-00	1	morsetto porta aghi	needles clamp	porte-aiguilles		
27	745810-2-00	3	vite	screw	vis		
28	766000-6-80	3	ago sist.Rim.63 fin.80	needle syst.Rim63 size 80	aiguille syst.Rim 63 jauge 80		
42	309770-0-00	1	passafilo	thread guide	passe-fil		
	<u>Tav.14</u>						
★	308531-4-00	1	gruppo tensioni	tensions assembly	groupe tensions		
20	308506-0-00	4	pernetto	pin	pivot		
21	308501-0-01	4	passafilo	thread guide	passe-fil		
22	308503-0-01	4	guidafilo	thread guide	guide-fil		
25	308505-0-00	4	perno a vite	pin	pivot		
26	300218-0-10	8	disco tensione	tension disc	disque tension		
27	308507-0-00	4	rondella	washer	rondelle		
28	202556-0-00	4	scodellino	cup	cuvette		
29	200710-0-10	3	molla	spring	ressort		
30	202229-0-10	4	bussola superiore	upper bush	bague supérieure		
31	202558-2-00	4	pomolo	knob	pommeau		
33	308518-4-00	3	tensione sup.con molla fig.29	upper tension with spring fig.29	tension sup.avec ressort fig.29		
	<u>Tav. 27</u>						
●	309214-4-00	1	carter anteriore completo	front cover assembly	carter avant complet		
1	309063-4-00	1	piano di lavoro completo	working plate assembly	plan de travail complet		
2	309046-2-00	1	piano di lavoro	working plate	plan de travail		
40	309275-0-00	1	piastra piano di lavoro	plate	plaque		
49	309211-3-00	1	carter anteriore	front cover	carter avant		
51	744654-2-00	2	vite	screw	vis		
52	309276-0-00	1	piastra piano di lavoro	plate	plaque		

From the library of: Diamond Needle Corp